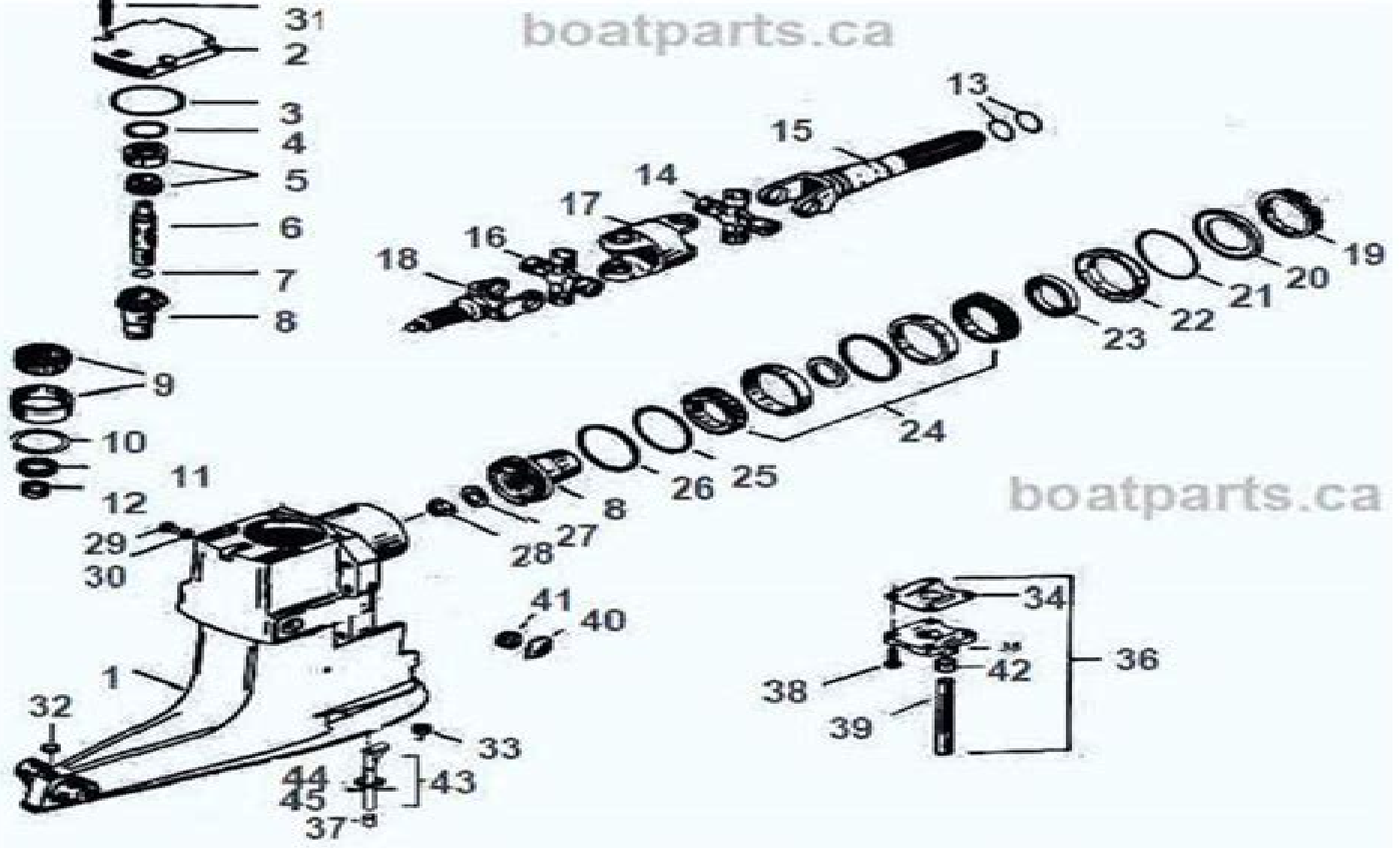


boatparts.ca



boatparts.ca

Mercruiser / Alpha One

boatparts.ca

Mercuriser Alpha One Mr Manual

Peipei Pang



MerCruiser Alpha One Mr Manual:

Mercruiser Alpha One Mr Manual Book Review: Unveiling the Magic of Language

In an electronic era where connections and knowledge reign supreme, the enchanting power of language has been apparent than ever. Its capability to stir emotions, provoke thought, and instigate transformation is actually remarkable. This extraordinary book, aptly titled "**Mercruiser Alpha One Mr Manual**," compiled by a highly acclaimed author, immerses readers in a captivating exploration of the significance of language and its profound effect on our existence. Throughout this critique, we shall delve to the book's central themes, evaluate its unique writing style, and assess its overall influence on its readership.

http://www.a-walhalla.hu/data/Resources/fetch.php/crosswalk_coach_plus_language_arts_answers_8th_grade.pdf

Table of Contents Mercruiser Alpha One Mr Manual

1. Understanding the eBook Mercruiser Alpha One Mr Manual
 - The Rise of Digital Reading Mercruiser Alpha One Mr Manual
 - Advantages of eBooks Over Traditional Books
2. Identifying Mercruiser Alpha One Mr Manual
 - Exploring Different Genres
 - Considering Fiction vs. Non-Fiction
 - Determining Your Reading Goals
3. Choosing the Right eBook Platform
 - Popular eBook Platforms
 - Features to Look for in an eBook Platform
 - User-Friendly Interface
4. Exploring eBook Recommendations from Mercruiser Alpha One Mr Manual
 - Personalized Recommendations
 - eBook Platform User Reviews and Ratings
 - eBook Platform and Bestseller Lists

5. Accessing Mer cruiser Alpha One Mr Manual Free and Paid eBooks
 - Mer cruiser Alpha One Mr Manual Public Domain eBooks
 - Mer cruiser Alpha One Mr Manual eBook Subscription Services
 - Mer cruiser Alpha One Mr Manual Budget-Friendly Options
6. Navigating Mer cruiser Alpha One Mr Manual eBook Formats
 - ePub, PDF, MOBI, and More
 - Mer cruiser Alpha One Mr Manual Compatibility with Devices
 - Mer cruiser Alpha One Mr Manual Enhanced eBook Features
7. Enhancing Your Reading Experience
 - Adjustable Fonts and Text Sizes of Mer cruiser Alpha One Mr Manual
 - Highlighting and Note-Taking Mer cruiser Alpha One Mr Manual
 - Interactive Elements Mer cruiser Alpha One Mr Manual
8. Staying Engaged with Mer cruiser Alpha One Mr Manual
 - Joining Online Reading Communities
 - Participating in Virtual Book Clubs
 - Following Authors and Publishers Mer cruiser Alpha One Mr Manual
9. Balancing eBooks and Physical Books Mer cruiser Alpha One Mr Manual
 - Benefits of a Digital Library
 - Creating a Diverse Reading Collection Mer cruiser Alpha One Mr Manual
10. Overcoming Reading Challenges
 - Dealing with Digital Eye Strain
 - Minimizing Distractions
 - Managing Screen Time
11. Cultivating a Reading Routine Mer cruiser Alpha One Mr Manual
 - Setting Reading Goals Mer cruiser Alpha One Mr Manual
 - Carving Out Dedicated Reading Time
12. Sourcing Reliable Information of Mer cruiser Alpha One Mr Manual
 - Fact-Checking eBook Content of Mer cruiser Alpha One Mr Manual
 - Distinguishing Credible Sources
13. Promoting Lifelong Learning

- Utilizing eBooks for Skill Development
 - Exploring Educational eBooks
14. Embracing eBook Trends
- Integration of Multimedia Elements
 - Interactive and Gamified eBooks

Mer cruiser Alpha One Mr Manual Introduction

Mer cruiser Alpha One Mr Manual Offers over 60,000 free eBooks, including many classics that are in the public domain. Open Library: Provides access to over 1 million free eBooks, including classic literature and contemporary works. Mer cruiser Alpha One Mr Manual Offers a vast collection of books, some of which are available for free as PDF downloads, particularly older books in the public domain. Mer cruiser Alpha One Mr Manual : This website hosts a vast collection of scientific articles, books, and textbooks. While it operates in a legal gray area due to copyright issues, its a popular resource for finding various publications. Internet Archive for Mer cruiser Alpha One Mr Manual : Has an extensive collection of digital content, including books, articles, videos, and more. It has a massive library of free downloadable books. Free-eBooks Mer cruiser Alpha One Mr Manual Offers a diverse range of free eBooks across various genres. Mer cruiser Alpha One Mr Manual Focuses mainly on educational books, textbooks, and business books. It offers free PDF downloads for educational purposes. Mer cruiser Alpha One Mr Manual Provides a large selection of free eBooks in different genres, which are available for download in various formats, including PDF. Finding specific Mer cruiser Alpha One Mr Manual, especially related to Mer cruiser Alpha One Mr Manual, might be challenging as theyre often artistic creations rather than practical blueprints. However, you can explore the following steps to search for or create your own Online Searches: Look for websites, forums, or blogs dedicated to Mer cruiser Alpha One Mr Manual, Sometimes enthusiasts share their designs or concepts in PDF format. Books and Magazines Some Mer cruiser Alpha One Mr Manual books or magazines might include. Look for these in online stores or libraries. Remember that while Mer cruiser Alpha One Mr Manual, sharing copyrighted material without permission is not legal. Always ensure youre either creating your own or obtaining them from legitimate sources that allow sharing and downloading. Library Check if your local library offers eBook lending services. Many libraries have digital catalogs where you can borrow Mer cruiser Alpha One Mr Manual eBooks for free, including popular titles. Online Retailers: Websites like Amazon, Google Books, or Apple Books often sell eBooks. Sometimes, authors or publishers offer promotions or free periods for certain books. Authors Website Occasionally, authors provide excerpts or short stories for free on their websites. While this might not be the Mer cruiser Alpha One Mr Manual full book , it can give you a taste of the authors writing style. Subscription Services Platforms like Kindle Unlimited or Scribd offer subscription-based access to a wide range of

Mer cruiser Alpha One Mr Manual eBooks, including some popular titles.

FAQs About Mer cruiser Alpha One Mr Manual Books

How do I know which eBook platform is the best for me? Finding the best eBook platform depends on your reading preferences and device compatibility. Research different platforms, read user reviews, and explore their features before making a choice. Are free eBooks of good quality? Yes, many reputable platforms offer high-quality free eBooks, including classics and public domain works. However, make sure to verify the source to ensure the eBook credibility. Can I read eBooks without an eReader? Absolutely! Most eBook platforms offer webbased readers or mobile apps that allow you to read eBooks on your computer, tablet, or smartphone. How do I avoid digital eye strain while reading eBooks? To prevent digital eye strain, take regular breaks, adjust the font size and background color, and ensure proper lighting while reading eBooks. What the advantage of interactive eBooks? Interactive eBooks incorporate multimedia elements, quizzes, and activities, enhancing the reader engagement and providing a more immersive learning experience. Mer cruiser Alpha One Mr Manual is one of the best book in our library for free trial. We provide copy of Mer cruiser Alpha One Mr Manual in digital format, so the resources that you find are reliable. There are also many Ebooks of related with Mer cruiser Alpha One Mr Manual. Where to download Mer cruiser Alpha One Mr Manual online for free? Are you looking for Mer cruiser Alpha One Mr Manual PDF? This is definitely going to save you time and cash in something you should think about. If you trying to find then search around for online. Without a doubt there are numerous these available and many of them have the freedom. However without doubt you receive whatever you purchase. An alternate way to get ideas is always to check another Mer cruiser Alpha One Mr Manual. This method for see exactly what may be included and adopt these ideas to your book. This site will almost certainly help you save time and effort, money and stress. If you are looking for free books then you really should consider finding to assist you try this. Several of Mer cruiser Alpha One Mr Manual are for sale to free while some are payable. If you arent sure if the books you would like to download works with for usage along with your computer, it is possible to download free trials. The free guides make it easy for someone to free access online library for download books to your device. You can get free download on free trial for lots of books categories. Our library is the biggest of these that have literally hundreds of thousands of different products categories represented. You will also see that there are specific sites catered to different product types or categories, brands or niches related with Mer cruiser Alpha One Mr Manual. So depending on what exactly you are searching, you will be able to choose e books to suit your own need. Need to access completely for Campbell Biology Seventh Edition book? Access Ebook without any digging. And by having access to our ebook online or by storing it on your computer, you have convenient answers with Mer cruiser Alpha One Mr Manual To get started finding Mer cruiser Alpha One

Mr Manual, you are right to find our website which has a comprehensive collection of books online. Our library is the biggest of these that have literally hundreds of thousands of different products represented. You will also see that there are specific sites catered to different categories or niches related with Mer cruiser Alpha One Mr Manual So depending on what exactly you are searching, you will be able to choose ebook to suit your own need. Thank you for reading Mer cruiser Alpha One Mr Manual. Maybe you have knowledge that, people have search numerous times for their favorite readings like this Mer cruiser Alpha One Mr Manual, but end up in harmful downloads. Rather than reading a good book with a cup of coffee in the afternoon, instead they juggled with some harmful bugs inside their laptop. Mer cruiser Alpha One Mr Manual is available in our book collection an online access to it is set as public so you can download it instantly. Our digital library spans in multiple locations, allowing you to get the most less latency time to download any of our books like this one. Merely said, Mer cruiser Alpha One Mr Manual is universally compatible with any devices to read.

Find Mer cruiser Alpha One Mr Manual :

[crosswalk coach plus language arts answers 8th grade](#)

credit scores final quiz answers everfi

counting atoms test

covalent bonding pogil packet

[corporate finance 6th canadian edition solutions](#)

[cuaderno descubre 2 leccion 7 answers](#)

[create test bank microsoft access for dummies](#)

cumulative review chapters 1 4 prentice hall geometry answers

courses at rongo university 2015 2016 september intake

dana 211 axle

[corporate finance ross westerfield jaffe ninth edition](#)

daewoo lanos repair manual

[crossword dna structure and replication answer key](#)

daftar nama lolos seleksi osn smp provinsi jambi 2015

[estephenmurray answer key physics isaac newton s](#)

MerCruiser Alpha One Mr Manual :

[mechanics of materials by james m gere open library](#) - Dec 01 2021

mechanics of materials james m gere barry j goodno - May 18 2023

web jan 1 2008 mechanics of materials si edition 7th seventh edition text only james m gere on amazon com free shipping on qualifying offers

mechanics of materials 7th edition solutions and answers - Jul 08 2022

web solution manual mechanics of materials 7th edition gere s 166 2 mpa 01ch01 qxd 9 25 08 7 50 pm page 15 section 1 3 mechanical properties of materials

mechanics of materials gere 7th copy cyberlab sutd edu sg - Sep 22 2023

web apr 15 2008 now in 4 color format with more illustrations than ever before the seventh edition of mechanics of materials continues its tradition as one of the leading texts on

mechanics of materials si edition gere james m goodno - Mar 04 2022

web mechanics of materials gere 7th edition report of the chief of engineers nov 29 2021 advanced mechanics of materials and applied elasticity oct 29 2021 this systematic

free mechanics of materials gere 7th edition - Apr 05 2022

web jul 14 2008 mechanics of materials si edition james m gere barry j goodno cengage learning jul 14 2008 technology engineering 1022 pages now in 4

solution manual mechanics of materials 7th edition gere - May 06 2022

web jul 14 2008 now in 4 color format with more illustrations than ever before the seventh edition of mechanics of materials continues its tradition as one of the leading texts on

mechanics of materials si edition 7th seventh edition text only - Mar 16 2023

web our interactive player makes it easy to find solutions to mechanics of materials 7th edition problems you re working on just go to the chapter for your book hit a particularly tricky

[mechanics of materials 7th edition textbooks com](#) - Apr 17 2023

web jan 1 2012 bibtex endnote refman the eighth edition of mechanics of materials continues its tradition as one of the leading texts on the market with its

mechanics of materials by james m gere open library - Nov 12 2022

web jan 1 2012 the eighth edition of mechanics of materials continues its tradition as one of the leading texts on the market with its hallmark clarity and accuracy this text

mechanics of materials si edition james m gere barry j - Feb 03 2022

web dec 28 2021 mechanics of materials by james m gere 1990 pws kent pub co edition in english 3rd ed

mechanics of materials 7th edition pdfdrive studylib net - Jun 07 2022

web mechanics of materials enhanced edition dec 28 2022 develop a thorough understanding of the mechanics of materials an area essential for success in

mechanics of materials by gere james m amazon com - Sep 10 2022

web now with expert verified solutions from mechanics of materials 7th edition you ll learn how to solve your toughest homework problems our resource for mechanics of

mechanics of materials james m gere barry j goodno - Feb 15 2023

web isbn 9781337093347 develop a thorough understanding of the mechanics of materials an essential area in mechanical civil and structural engineering with the analytical

mechanics of materials 7th seventh edition by gere - Aug 09 2022

web free essays homework help flashcards research papers book reports term papers history science politics

mechanics of materials gere 7th edition 2023 - Jan 02 2022

mechanics of materials james m gere barr academia edu - Oct 23 2023

web mechanics of materials gere 7th report of the chief of engineers oct 25 2020 proceedings of the 7th meeting on ferroelectric materials and their applications fma

mechanics of materials 7th edition textbook solutions chegg - Jan 14 2023

web jul 23 2022 details reviews lists related books last edited by data standar july 23 2022 history edit an edition of mechanics of materials 1984 mechanics of materials

mechanics of materials - Dec 13 2022

web mechanics of materials si edition 7th edition by gere james m goodno barry j 2008 paperback amazon com books

mechanics of materials james m gere barry j goodno - Aug 21 2023

web gere james m publication date 2013 topics materials textbooks mechanics applied textbooks strength of materials textbooks materials problems

mechanics of materials si edition 7th edition by gere james m - Oct 11 2022

web mechanics of materials 7th seventh edition by gere goodno by james m gere barry j goodno isbn 10 0010024956 isbn 13 9780010024951 publisher 1905

mechanics of materials gere james m archive org - Jul 20 2023

web apr 15 2008 now in 4 color format with more illustrations than ever before the seventh edition of mechanics of materials continues its tradition as one of the leading texts on

mechanics of materials gere james m free - Jun 19 2023

web buy mechanics of materials 7th edition 9780534553975 by james m gere and barry j goodno for up to 90 off at textbooks com

marine engineer s handbook a resource guide to marine engineering - Jun 13 2023

web marine engineering marine engineering is a field that deals with the engineering aspect of the maritime industry like any conventional engineering course marine engineering is a four year course which prepares an individual to become an engineer on ships

what does a marine engineer do careerexplorer - Oct 05 2022

web marine engineers are responsible for the design construction and maintenance of ships boats and other marine vessels they work on a wide range of tasks related to the mechanical and electrical systems that power and operate these vessels these tasks may include designing engines propulsion systems and auxiliary systems such as heating

marine engineering wikipedia - Jul 14 2023

web instances in which marine engineers benefit from knowledge of environmental engineering include creation of fisheries clean up of oil spills and creation of coastal solutions offshore systems a number of systems designed fully or in part by marine engineers are used offshore far away from coastlines offshore oil platforms

overhauling of cylinder head marine engineers knowledge - Dec 27 2021

web jan 9 2020 rocker arm assembly before overhauling take off the top and bottom cover from the cylinder head the cylinder head assembly is connected to exhaust manifold scavenge manifold cooling water system starting air system and fuel oil

study marine engineering why how to study complete - Jan 08 2023

web jan 31 2023 what marine engineering degrees can you study what do you need to get onto a marine engineering degree what topics does a marine engineering degree cover how will you be assessed why study marine engineering are scholarships and bursaries available to students studying a marine engineering degree what do marine

downloads marine engineers knowledge - Aug 15 2023

web downloads marine engineers knowledge downloads preparation resources for candidates who are appearing for meo class 4 both written and oral examinations candidates can download here in the links provided below 1 meo class 4 safety coscpool preparation notes safety coscpool oral preparation notes by kunjai

how to become a marine engineer career guide courses after - Jan 28 2022

web there are various books used to become a good marine engineer which includes introduction to marine engineering marine boilers pounder s marine diesel engines and gas turbines doug woodyard general engineering knowledge ship construction and many more books written

get a master s degree in ocean engineering dtu - Jun 01 2022

web these competences include knowledge of the physical challenges in constructing off shore installations developing technologies for both surface and underwater observations describing and modelling interactions with the natural marine environment and the ability evaluate the sustainability of engineering activities across a broad range of

marine engineering msc prospective students graduate ucl - Sep 04 2022

web the marine engineering msc is concerned with the design analysis and operation of machinery and systems for merchant and naval ships and submarines the programme covers a wide range of engineering subjects relevant to the development and procurement of marine engineering uk students international students study mode

marine engineering knowledge by rajan google sites - Jul 02 2022

web marine engineering knowledge by rajan contact admin 91 8210767178 mail cranh124 gmail com don t forget to subscribe our channel youtube com channel ucusc7r 0whhooconfvjzdkq for notes

marine engineering knowledge mek facebook - Mar 30 2022

web marine engineering knowledge mek facebook

what is marine engineering definition and job salary twi - Feb 09 2023

web the skills and knowledge required for a marine engineer include academic knowledge of maths knowledge of engineering science technology and physics as well as the practical skills required for the use repair and maintenance of machines and tools

how to become a marine engineer marine insight - Feb 26 2022

web sep 9 2021 the article explains how a person can become a marine engineer and the scope of marine engineer as a profession also find out what are the different ways to become a marine engineer of top 10 supply chain management books that will help you in narrowing down your choices in the process of acquiring knowledge

your complete guide to studying marine engineering - Dec 07 2022

web marine engineering is the discipline that deals with matters related to the design innovation construction and maintenance of seagoing vessels and navigation equipment marine engineering focuses primarily on the development and production of internal systems of boats ships or submarines

what is marine engineering courses job description salary - Nov 06 2022

web may 1 2021 marine engineering is the field of study that deals with the design development production and

maintenance of the equipment used at sea and onboard sea vessels like boats ships etc read how to become a marine engineer here [marine engineering job description](#)

top 10 important marine engineering books marine insight - Mar 10 2023

web aug 6 2021 here are the best marine engineering books available in the market if you are a student or an experienced sea going marine engineer you are required to learn and keep yourself updated with all marine concepts and technologies find out more about some of the best marine engineering books out there

7 steps to become a marine engineer indeed com - Apr 30 2022

web jun 30 2023 marine engineers use their knowledge of mechanics and physics to develop essential infrastructure that can successfully function in the water if you enjoy solving large scale technical problems and have an interest in marine technology becoming a marine engineer could be the right career decision for you

12 marine engineer skills definition and examples resumecat - Aug 03 2022

web jun 7 2023 boatbuilding marine engineering marine engineering is the branch of engineering that deals with the design construction and operation of ships boats and other marine vessels marine engineers are responsible for the safe and efficient operation of these vessels

[marine engineering knowledge udemy](#) - May 12 2023

web free naval architecture and marine engineering tutorial marine engineering knowledge udemy categories teach on udemy development web development data science mobile development programming languages game development database design development software testing software engineering software development

top 7 important websites for marine engineers marine insight - Apr 11 2023

web may 12 2019 if you are marine engineer or studying to become one then check out these seven of the most important websites for marine engineers to upgrade their marine engineering and maritime knowledge

billets et tours forteresse de rumeli rumeli hisari istanbul viator - Jan 05 2022

web passez un après midi agréable à explorer le détroit du bosphore et la mer noire au cours de cette croisière au départ d istanbul avant de partir goûtez au meze turc traditionnel et à d autres spécialités à bord du bateau puis commencez votre croisière dans le détroit du bosphore depuis la forteresse de rumeli hisara

[bande annonce la forteresse noire vo vidéo dailymotion](#) - Aug 12 2022

web sep 8 2015 bande annonce de la forteresse noire de michael mann avec scott glenn alberta watson jürgen prochnow plus de vidéos du film premiere fr film la forteresse noire 135392 vidéos à découvrir À suivre 0 33 les forteresses maritimes rmc de couverture bande annonce télé 7 jours 1 59 b17 la forteresse volante bande

[la forteresse noire 1983 un film de michael mann premiere fr](#) - Jan 17 2023

web la forteresse noire un film de michael mann synopsis une ancienne forteresse roumaine prise d assaut par la wehrmacht garde prisonnier dans son enceinte molasar incarnation du mal

[la forteresse noire un film de 1983 télérama vodkaster](#) - Jul 11 2022

web la forteresse noire un film de michael mann de 1983 des nazis sont envoyés pour garder une vieille et mystérieuse forteresse romaine l un d eux par erreur laisse s échapper une force inconnue qui était prisonnière des murs

[la forteresse noire retour sur le grand film maudit de michael](#) - Apr 20 2023

web jan 30 2021 la forteresse noire retour sur le grand film maudit de michael mann antoine desrues 30 janvier 2021 maj 09 03 2021 15 58 drame fantastique horreur guerre 1709 outre ses films de gangsters

la forteresse noire un film maudit avec paul youtube - Mar 07 2022

web vdomdhtmltml la forteresse noire un film maudit avec paul youtube pour soutenir la chaîne youtube com channel ucgp5f3ohn8

la forteresse noire film 1983 senscritique - Sep 13 2022

web la forteresse noire est un film de michael mann synopsis avril 1941 en roumanie des soldats allemands prennent possession d une forteresse bien que son gardien les

[la forteresse noire 1983 the movie database tmdb](#) - Jun 10 2022

web en europe de l est ils découvrent que la forteresse abrite un épouvantable secret synopsis des nazis sont envoyés pour garder une vieille et mystérieuse forteresse romaine

[la forteresse noire wikipédia](#) - Aug 24 2023

web la forteresse noire the keep est un film fantastique américano britannique écrit et réalisé par michael mann et sorti en 1983 c est une adaptation du roman du même nom de francis paul wilson

[la forteresse noire bande annonce vf youtube](#) - Mar 19 2023

web watch on youtube the keep drama 1983 1 hr 35 min english audio it is world war ii in german occupied romania nazi soldiers have been sent to garrison a mysterious fortress but a nightmarish

la forteresse noire 1983 bande annonce française hd youtube - Feb 18 2023

web drama 1983 1 hr 35 min english audio r cc buy or rent it is world war ii in german occupied romania nazi soldiers have been sent to garrison a mysterious fortress but a nightmarish discovery

[dernières critiques du film la forteresse noire allociné](#) - Oct 14 2022

web retrouvez toutes les dernières critiques sur le film la forteresse noire réalisé par michael mann avec ian mckellen scott glenn alberta watson

[monuments forteresse de beykoz yoros kalesi](#) - Apr 08 2022

web elle domine l'entrée de la mer noire cette forteresse byzantine devient ottomane sous yildirim beyazit 1389 1402 d'une longueur de 500 m et d'une largeur de 30 m à 60 m elle sera restaurée et dotée d'une petite mosquée dans le cadre d'un large programme entrepris par le sultan bayazit ii 1481 1512

la forteresse noire film 1983 allociné - Jul 23 2023

web la forteresse noire est un film réalisé par michael mann avec ian mckellen scott glenn synopsis des nazis sont envoyés pour garder une vieille et mystérieuse forteresse roumaine

the keep 1983 imdb - Jun 22 2023

web dec 16 1983 the keep 1983 imdb the keep directed by michael mann with scott glenn alberta watson jürgen prochnow robert prosky nazis are forced to turn to a jewish historian for help in battling the ancient demon

la forteresse noire en streaming direct et replay sur canal - May 09 2022

web apple tv durant la seconde guerre mondiale des soldats allemands sont tués dans une mystérieuse forteresse roumaine que l'on dit hantée par une force étrange

critique du film la forteresse noire allociné - Dec 16 2022

web la forteresse noire news bandes annonces casting critiques spectateurs note moyenne 2 5 449 notes en savoir plus sur les notes spectateurs d'allociné votre avis sur la forteresse noire

la forteresse noire the keep de michael mann le film maudit - Feb 06 2022

web mon tipee tipeestream com des toils et des poils donation1942 une forteresse en transylvanie une armée allemande épuisée et à l'intérieur u

regarder la forteresse noire en streaming complet justwatch - May 21 2023

web en ce moment vous pouvez regarder la forteresse noire en streaming sur canal paramount plus paramount amazon channel paramount plus apple tv channel il est également possible de louer la forteresse noire sur orange vod universcine amazon video en ligne ou de le télécharger sur orange vod canal vod amazon video

casting du film la forteresse noire allociné - Nov 15 2022

web avec fabrice luchini mara taquin film drame bande annonce le règne animal l'arbre aux papillons d'or une année difficile 3 jours max déserts le procès goldman