

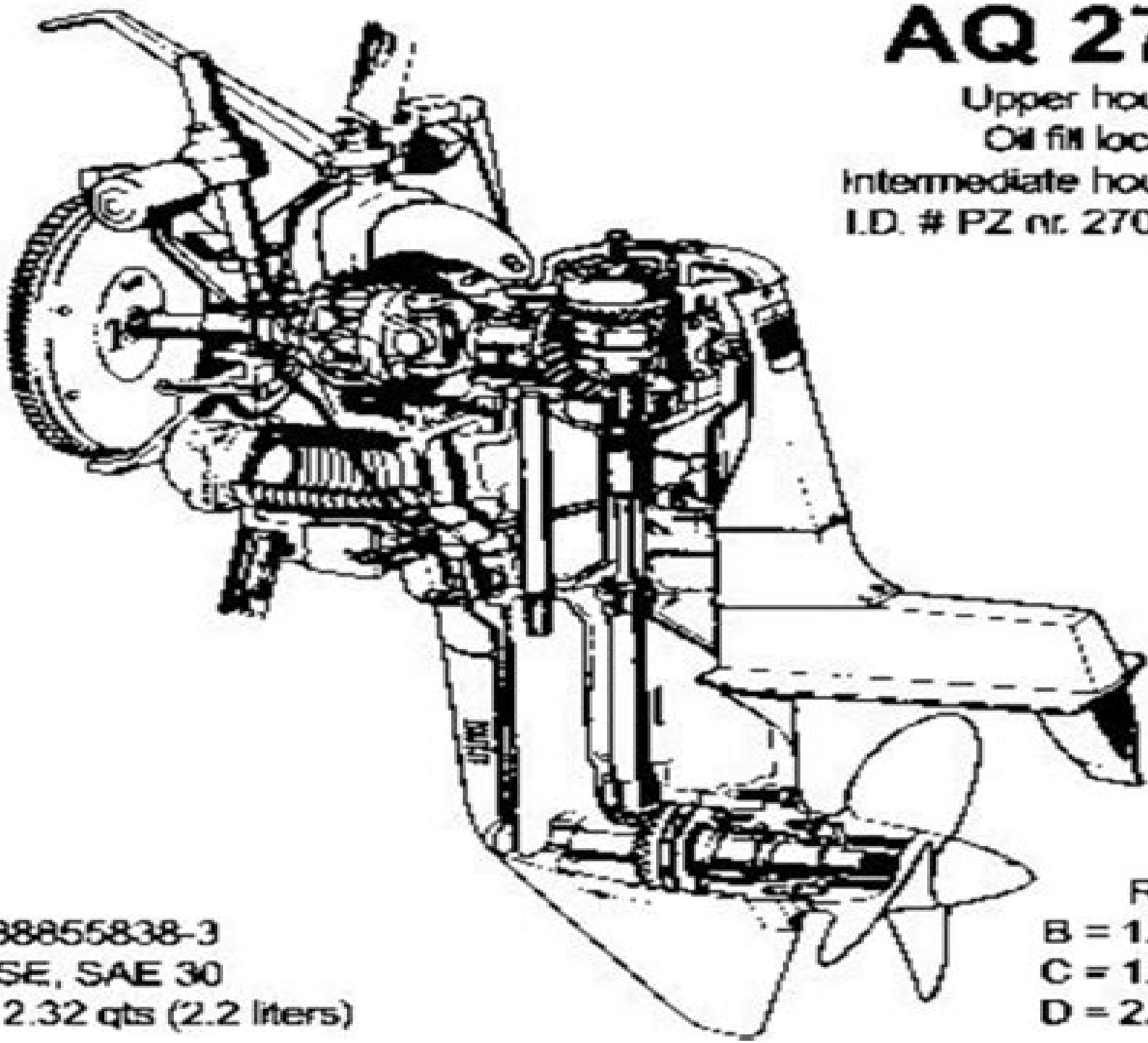
AQ 270

Upper housing

Oil fill location

Intermediate housing

I.D. # PZ nr. 270xxxx



Oil: 38855838-3
API SE, SAE 30
Qty: 2.32 qts (2.2 liters)

Ratio:
B = 1.61:1
C = 1.89:1
D = 2.15:1

Aq270 Workshop Manual

British Leyland Motor Corporation

A red circular graphic with a gradient, appearing as a semi-circle on the right side of the page, partially overlapping the grey bar.

Aq270 Workshop Manual:

Cars & Parts ,1984 *Fifteen Hundred and One-point-five Workshop Manual* British Motor Corporation, British Motor Corporation. BMC Service Division, 1965 **Workshop Manual Type 2632** Daimler-Benz, 1972 Fifteen Hundred and One-point-five Workshop Manual British Motor Corporation. BMC Service Division, 1967 **Workshop Manual for the Austin 3 Litre** ,1969 A40, Mk. I and Mk. 2 Saloon and Countryman ,1968 General Automobile Workshop Manual Frederick Good, 2012-11 Dieses Buch aus dem Jahr 1922 diente zu der Zeit seines Erscheinens vor allem Mechanikstudenten als ein n tzliches Lehr und Handbuch im Bereich der Automobilvergaser und der generellen Automechanik Heute aufgrund der rapiden fortschreitenden Technik berholt er ffnet es Interessierten einen umfangreichen Einblick in alle technischen Bereiche der Automobilbranche zu Beginn des 20 Jahrhunderts Es handelt sich hierbei um eine englischsprachige Ausgabe

General Motors A-cars Owners Workshop Manual Larry Warren, Doug Dodge, John Harold Haynes, 1987 *Auto Serv* ,1963 Austin 3 Litre Workshop Manual British Leyland Motor Corporation, 1969 **The Austin A99 and A110 Westminster** BMC Service Ltd, 1963 Austin 3 Litre British Leyland (Austin-Morris). Service Division, 1971 *Austin 3 Litre Workshop Manual* British Leyland Motor Corporation Limited. Service Division, Cowley Oxford, 1969 **Audi Owners Workshop Manual** John S. Mead, 1986 General Automobile Workshop Manual Frederick Good, 2013-05-16 Dieses Buch aus dem Jahr 1922 diente zu der Zeit seines Erscheinens vor allem Mechanikstudenten als ein n tzliches Lehr und Handbuch im Bereich der Automobilvergaser und der generellen Automechanik Heute aufgrund der rapiden fortschreitenden Technik berholt er ffnet es Interessierten einen umfangreichen Einblick in alle technischen Bereiche der Automobilbranche zu Beginn des 20 Jahrhunderts Es handelt sich hierbei um eine englischsprachige Ausgabe *The Austin A60 Workshop Manual* Austin Motor Company (Australia) Pty., Ltd, 1959* **Alpine Solara Workshop Manual** ,1980 Anglia/Prefect Autobook One Philip Hubert Smith, 1969 *Workshop Manual for the Hillman and Commer* Hillman Motor Car Company, 1956 The Austin A40 Mk I and Mk II Workshop Manual ,196?

Unveiling the Energy of Verbal Artistry: An Emotional Sojourn through **Aq270 Workshop Manual**

In a world inundated with screens and the cacophony of instantaneous interaction, the profound power and psychological resonance of verbal art frequently diminish into obscurity, eclipsed by the constant barrage of noise and distractions. However, situated within the musical pages of **Aq270 Workshop Manual**, a captivating perform of fictional splendor that pulses with raw feelings, lies an remarkable journey waiting to be embarked upon. Published by way of a virtuoso wordsmith, this enchanting opus books visitors on a mental odyssey, gently revealing the latent potential and profound influence embedded within the elaborate internet of language. Within the heart-wrenching expanse of this evocative evaluation, we can embark upon an introspective exploration of the book is central subjects, dissect their captivating publishing type, and immerse ourselves in the indelible effect it leaves upon the depths of readers souls.

http://www.a-walhalla.hu/data/detail/Download_PDFS/isa%20exam%20metal%20ores.pdf

Table of Contents Aq270 Workshop Manual

1. Understanding the eBook Aq270 Workshop Manual
 - The Rise of Digital Reading Aq270 Workshop Manual
 - Advantages of eBooks Over Traditional Books
2. Identifying Aq270 Workshop Manual
 - Exploring Different Genres
 - Considering Fiction vs. Non-Fiction
 - Determining Your Reading Goals
3. Choosing the Right eBook Platform
 - Popular eBook Platforms
 - Features to Look for in an Aq270 Workshop Manual
 - User-Friendly Interface
4. Exploring eBook Recommendations from Aq270 Workshop Manual
 - Personalized Recommendations

- Aq270 Workshop Manual User Reviews and Ratings
- Aq270 Workshop Manual and Bestseller Lists
- 5. Accessing Aq270 Workshop Manual Free and Paid eBooks
 - Aq270 Workshop Manual Public Domain eBooks
 - Aq270 Workshop Manual eBook Subscription Services
 - Aq270 Workshop Manual Budget-Friendly Options
- 6. Navigating Aq270 Workshop Manual eBook Formats
 - ePub, PDF, MOBI, and More
 - Aq270 Workshop Manual Compatibility with Devices
 - Aq270 Workshop Manual Enhanced eBook Features
- 7. Enhancing Your Reading Experience
 - Adjustable Fonts and Text Sizes of Aq270 Workshop Manual
 - Highlighting and Note-Taking Aq270 Workshop Manual
 - Interactive Elements Aq270 Workshop Manual
- 8. Staying Engaged with Aq270 Workshop Manual
 - Joining Online Reading Communities
 - Participating in Virtual Book Clubs
 - Following Authors and Publishers Aq270 Workshop Manual
- 9. Balancing eBooks and Physical Books Aq270 Workshop Manual
 - Benefits of a Digital Library
 - Creating a Diverse Reading Collection Aq270 Workshop Manual
- 10. Overcoming Reading Challenges
 - Dealing with Digital Eye Strain
 - Minimizing Distractions
 - Managing Screen Time
- 11. Cultivating a Reading Routine Aq270 Workshop Manual
 - Setting Reading Goals Aq270 Workshop Manual
 - Carving Out Dedicated Reading Time
- 12. Sourcing Reliable Information of Aq270 Workshop Manual
 - Fact-Checking eBook Content of Aq270 Workshop Manual

- Distinguishing Credible Sources
13. Promoting Lifelong Learning
- Utilizing eBooks for Skill Development
 - Exploring Educational eBooks
14. Embracing eBook Trends
- Integration of Multimedia Elements
 - Interactive and Gamified eBooks

Aq270 Workshop Manual Introduction

In today's digital age, the availability of Aq270 Workshop Manual books and manuals for download has revolutionized the way we access information. Gone are the days of physically flipping through pages and carrying heavy textbooks or manuals. With just a few clicks, we can now access a wealth of knowledge from the comfort of our own homes or on the go. This article will explore the advantages of Aq270 Workshop Manual books and manuals for download, along with some popular platforms that offer these resources. One of the significant advantages of Aq270 Workshop Manual books and manuals for download is the cost-saving aspect. Traditional books and manuals can be costly, especially if you need to purchase several of them for educational or professional purposes. By accessing Aq270 Workshop Manual versions, you eliminate the need to spend money on physical copies. This not only saves you money but also reduces the environmental impact associated with book production and transportation. Furthermore, Aq270 Workshop Manual books and manuals for download are incredibly convenient. With just a computer or smartphone and an internet connection, you can access a vast library of resources on any subject imaginable. Whether you're a student looking for textbooks, a professional seeking industry-specific manuals, or someone interested in self-improvement, these digital resources provide an efficient and accessible means of acquiring knowledge. Moreover, PDF books and manuals offer a range of benefits compared to other digital formats. PDF files are designed to retain their formatting regardless of the device used to open them. This ensures that the content appears exactly as intended by the author, with no loss of formatting or missing graphics. Additionally, PDF files can be easily annotated, bookmarked, and searched for specific terms, making them highly practical for studying or referencing. When it comes to accessing Aq270 Workshop Manual books and manuals, several platforms offer an extensive collection of resources. One such platform is Project Gutenberg, a nonprofit organization that provides over 60,000 free eBooks. These books are primarily in the public domain, meaning they can be freely distributed and downloaded. Project Gutenberg offers a wide range of classic literature, making it an excellent resource for literature enthusiasts. Another popular platform for Aq270 Workshop Manual books and manuals is Open Library. Open Library is an initiative of the Internet Archive, a non-profit

organization dedicated to digitizing cultural artifacts and making them accessible to the public. Open Library hosts millions of books, including both public domain works and contemporary titles. It also allows users to borrow digital copies of certain books for a limited period, similar to a library lending system. Additionally, many universities and educational institutions have their own digital libraries that provide free access to PDF books and manuals. These libraries often offer academic texts, research papers, and technical manuals, making them invaluable resources for students and researchers. Some notable examples include MIT OpenCourseWare, which offers free access to course materials from the Massachusetts Institute of Technology, and the Digital Public Library of America, which provides a vast collection of digitized books and historical documents. In conclusion, Aq270 Workshop Manual books and manuals for download have transformed the way we access information. They provide a cost-effective and convenient means of acquiring knowledge, offering the ability to access a vast library of resources at our fingertips. With platforms like Project Gutenberg, Open Library, and various digital libraries offered by educational institutions, we have access to an ever-expanding collection of books and manuals. Whether for educational, professional, or personal purposes, these digital resources serve as valuable tools for continuous learning and self-improvement. So why not take advantage of the vast world of Aq270 Workshop Manual books and manuals for download and embark on your journey of knowledge?

FAQs About Aq270 Workshop Manual Books

How do I know which eBook platform is the best for me? Finding the best eBook platform depends on your reading preferences and device compatibility. Research different platforms, read user reviews, and explore their features before making a choice. Are free eBooks of good quality? Yes, many reputable platforms offer high-quality free eBooks, including classics and public domain works. However, make sure to verify the source to ensure the eBook credibility. Can I read eBooks without an eReader? Absolutely! Most eBook platforms offer web-based readers or mobile apps that allow you to read eBooks on your computer, tablet, or smartphone. How do I avoid digital eye strain while reading eBooks? To prevent digital eye strain, take regular breaks, adjust the font size and background color, and ensure proper lighting while reading eBooks. What the advantage of interactive eBooks? Interactive eBooks incorporate multimedia elements, quizzes, and activities, enhancing the reader engagement and providing a more immersive learning experience. Aq270 Workshop Manual is one of the best book in our library for free trial. We provide copy of Aq270 Workshop Manual in digital format, so the resources that you find are reliable. There are also many Ebooks of related with Aq270 Workshop Manual. Where to download Aq270 Workshop Manual online for free? Are you looking for Aq270 Workshop Manual PDF? This is definitely going to save you time and cash in something you should think about.

Find Aq270 Workshop Manual :

[isa exam metal ores](#)

j king pixl maths higher exam

[j-s-c 2014 question](#)

[instal browser xpress asha 200](#)

[interview questions for a payroll assistant](#)

isa mark scheme reflection

is lunghile nursing school available in polokwane

[instructional fair inc answers for unit 4 chapter 12](#)

[isizulu 2nd language hg p2 november 2014](#)

[iseb maths past papers](#)

intro to chemical reactions test

[iready math question](#)

[isizulu p2 grade 11 memorandum caps 2013](#)

[isuzu 1980 manual pick up](#)

isuzu rodeo fuse box

Aq270 Workshop Manual :

west bengal state council of higher education wbsche government - Jun 13 2023

web scholarship financial support of the government to the students the government of west bengal extends all kinds of support to students across the state in form of scholarships with the motto to make higher education accessible to all

[list of upcoming scholarships for west bengal students](#) - Feb 09 2023

web nov 29 2022 last updated on 22 02 2023 award inr 1 00 000 for 1 year eligibility for students pursuing graduation iti diploma or postgraduation degree in specified fields view scholarship follow tentative launch date jun 2024

[online scholarship in studies scholarship for sc st obc](#) - Sep 16 2023

web institutes of outside west bengal are requested to send course details to concern po cum dwo office of concern district as directed students are requested to register and apply for pre matric and post matric sc scholarship schemes on the state portal only for details [click here](#)

[aikyashree scholarship west bengal national government](#) - Mar 10 2023

web nov 10 2023 the scheme is a scholarship program implemented by the west bengal government in india the aikyashree scholarship aimed to provide financial assistance to students from economically disadvantaged minority students enabling them

complete guide to wb scholarship list of scholarships and - Dec 07 2022

web here is a list of the best scholarships available to west bengali students the list includes scholarships from both the central and state governments sno scholarship name sponsorer period of application 1 swami vivekananda merit cum means scholarship for minorities west bengal west bengal government

top 5 government scholarship for west bengal college makaut mentor - Aug 03 2022

web dec 14 2022 4 west bengal free ship scholarship not getting svmcm 5 hindi scholarship scheme west bengal mother tongue is not hindi but full time course with hindi govt scholarship list for westbengal students 2022 23 apply now new and also nabanna scholarship west bengal government

top scholarships list of west bengal students 2023 24 infinity - Oct 05 2022

web the most commonly used platform for applying for west bengal scholarships is the oasis scholarship portal initiated by the west bengal government here are the simplified steps to apply for a west bengal scholarship through this portal step 1 registration visit the official oasis scholarship portal click on the student

west bengal scholarship 2023 complete wb scholarship list - Apr 30 2022

web oct 17 2023 with the active participation of the major departments the west bengal scholarship has been launched covering 8 major scholarships in the form of subsidiary scholarship initiatives so that the students belonging to each relevant beneficiary category will be able to get the scholarship amounts for pursuing or undertaking relevant classes

scholarship for west bengal students wb scholarship 2023 24 - Jun 01 2022

web top scholarships for engineering students top scholarships for study abroad find here various types of scholarship 2023 24 available for students of west bengal know eligibility criteria application details and scholarship awards under various wb scholarship available for the students of west bengal

1 government of west bengal scholarships 2023 24 updated - Nov 06 2022

web government of west bengal scholarships are offered by government of west bengal to study or research there there are various government of west bengal scholarships internships for international students

relief fund department of chief minister s office west bengal - May 12 2023

web not enjoying any government non government scholarship stipend for the same course stage of study keep following details within your reach while applying government of west bengal best viewed in firefox

west bengal freeship scheme 2023 application status more - Jul 02 2022

web mar 17 2023 west bengal freeship scheme is a scholarship opportunity offered by the department of higher education government of west bengal to students who are merit rank holders in state level and national level entrance examinations
oasis scholarship 2023 24 status check online apply - Mar 30 2022

web nov 10 2023 oasis scholarship 2023 24 the west bengal government taking into account all low income students introduced the oasis scholarship which provides financial aid to low income students in west bengal who fall under the sc st obc categories we will provide you with all the pertinent details regarding the oasis

government scholarships 2023 central state scholarships list - Sep 04 2022

web jun 23 2023 ministry of human resource development ministry of social justice and empowerment university grants commission ugc all india council for technical education aicte and many more below is a detailed list of scholarships that are being offered by different department of central government

west bengal scholarship 2023 full scholarships list - Oct 17 2023

web nov 6 2023 what is west bengal scholarship 2023 the government of west bengal state has created a lot of scholarships that are available for students who are studying in different classes you can apply for the scholarship by going through the official application procedure mentioned in this article

west bengal scholarship west bengal scholarship list - Feb 26 2022

web updated august 26 2023 by deepika west bengal scholarship the west bengal state government of india coordinates with its backward class welfare development and tribal development department to provide scholarships to students hailing from different sections of society in the state

scholarships west bengal council of higher secondary education - Apr 11 2023

web kanyashree prokalpa paramparik scholarship ananta merit scholarship gp birla scholarship priyamvada birla scholarship jagadish bose scholarship aalo scholarship sitaram jindal scholarship kc mahindra scholarship faea scholarship kind circle scholarship kind scholarship for young women hdfc bank ecss scholarship

west bengal govt merit cum means scholarship scheme - Jan 08 2023

web in order to extend relief to the poor and meritorious students admitted into govt engineering and technology colleges the state govt has taken measures to grant the benefit of full and half free studentship 10 students selected on merit cum means basis will come under the purview of the scheme each year

west bengal scholarship 2023 eligibility application date award - Jul 14 2023

web oct 31 2023 west bengal scholarship 2023 application procedure 1 swami vivekananda merit cum means
[scholarship stipend west bengal](#) - Aug 15 2023

web in order that no brilliant student is prevented from pursuing post matric higher studies because of poverty the central

government as well as the state government introduced various scholarship schemes five of which are being currently administered in the state by the scholarship and stipend section of the education directorate government of

browse s introduction to the symptoms signs of surgical - Mar 18 2023

web jul 29 2005 buy browse s introduction to the symptoms signs of surgical disease 4th edition 4 by browse norman l black john burnand kevin g thomas william e g isbn 9780340815717 from amazon s book store everyday low prices and free delivery on eligible orders

norman l browse author of browse s introduction to the symptoms - Oct 13 2022

web norman l browse is the author of browse s introduction to the symptoms and signs of surgical disease 4 08 avg rating 303 ratings 20 reviews publishe

browse s introduction to the symptoms signs of surgical disease - Feb 17 2023

web jul 29 2005 norman l browse john black kevin g burnand william e g thomas taylor francis jul 29 2005 medical 496 pages the fourth edition of this essential textbook continues to meet the

[browse s introduction to the symptoms and signs of surgical](#) - Dec 15 2022

web browse s introduction to the symptoms and signs of surgical disease 4th edn norman browse john black kevin burnand william thomas extent p h 486 p paperback price isbn 26 99 034081571x publisher hodder arnold london 2005 reviewer john lowry star rating

an introduction to the symptoms and signs of surgical disease browse - Aug 11 2022

web an introduction to the symptoms and signs of surgical disease browse norman l norman leslie free download borrow and streaming internet archive

an introduction to the symptoms and signs of surgical disease - Apr 07 2022

web oct 17 2020 an introduction to the symptoms and signs of surgical disease by norman l browse 1978 arnold distributed by year book medical publishers edition in english

browse s introduction to the symptoms signs of surgical disease - Apr 19 2023

web browse s introduction to the symptoms signs of surgical disease is essential reading for all medical students learning the fundamentals of history taking and patient examination when undertaking a surgical rotation when preparing for their surgical exams and as they transition to postgraduate studies

browse s introduction to the symptoms signs of surgical disease - Jun 09 2022

web jul 29 2005 there are 0 reviews and 0 ratings from australia browse s introduction to the symptoms signs of surgical disease browse norman black john burnand kevin burnand kevin thomas william thomas william corbett steven a thomas william e g amazon com au books

[browse s introduction to the symptoms and signs of surgical](#) - Sep 12 2022

web oct 9 2015 [browse s introduction to the symptoms and signs of surgical disease 4th edition 2005 free download borrow and streaming internet archive](#)

[browse s introduction to the symptoms signs of surgical disease](#) - Jun 21 2023

web aug 26 2014 the fourth edition of this essential textbook continues to meet the needs of all those learning the principles of surgical examination together with sir norman browse the three additional authors bring their specialized knowledge and experience to complement the book s clear didactic approach and broad insight into the general principles of surg

[an introduction to the symptoms and signs of surgical disease browse](#) - May 20 2023

web an introduction to the symptoms and signs of surgical disease browse norman l norman leslie free download borrow and streaming internet archive

[browse s introduction to the symptoms and signs of surg](#) - Jan 16 2023

web jan 1 1991 norman l browse john black kevin g burnand more 4 08 303 ratings20 reviews the fourth edition of this essential textbook continues to meet the needs of all those learning the principles of surgical examination

[browse s introduction to the symptoms signs of surgical disease](#) - Mar 06 2022

web sep 17 2005 [browse s introduction to the symptoms and signs of surgical disease by norman l browse september 17 2005 a hodder arnold publication edition paperback in english 4 edition browse s introduction to the symptoms signs of surgical disease by norman l browse open library](#)

[browse s introduction to the symptoms signs of surgical disease](#) - Sep 24 2023

web description [browse s introduction to the symptoms signs of surgical disease](#) is essential reading for all medical students learning the fundamentals of history taking and patient examination when undertaking a surgical rotation when preparing for their surgical exams and as they transition to postgraduate studies

[browse s introduction to the symptoms signs of surgical disease](#) - Jul 22 2023

web sep 29 2005 [browse s introduction to the symptoms signs of surgical disease 4th edition by norman l browse author john black author kevin g burnand author 4 6 18 ratings see all formats and editions](#)

[browse s introduction to the symptoms signs of surgical disease](#) - Nov 14 2022

web may 17 2021 6th edition [browse s introduction to the symptoms signs of surgical disease](#) is essential reading for all medical students learning the fundamentals of history taking and patient examination when undertaking a surgical rotation when preparing for their surgical exams and as they transition to postgraduate studies

[browse s introduction to the symptoms signs of surgical disease](#) - May 08 2022

web [browse s introduction to the symptoms signs of surgical disease worldcat org items pages home kevin g burnand editor](#)

norman l browse editor ebook english 2015 edition fifth edition view all formats and editions publisher crc press taylor francis group boca raton fl 2015 physical description 1 online resource text

browse s introduction to the symptoms signs of surgical disease - Jul 10 2022

web oct 23 2014 written for medical students and junior doctors the fifth edition of this essential textbook has been fully revised and updated including additional illustrations and photographs the text teaches the clinical symptoms and signs of surgical disease stressing the importance of a thorough history and bedside examination

browse s introduction to the symptoms signs of surgical disease - Feb 05 2022

web oct 8 2014 ebook isbn 9780429103285 subjects medicine dentistry nursing allied health share citation abstract written for medical students and junior doctors the fifth edition of this essential textbook has been fully revised and updated including additional illustrations and photographs

browse s introduction to the symptoms signs of surgical disease - Aug 23 2023

web jul 29 2005 browse s introduction to the symptoms signs of surgical disease authors norman browse john black kevin burnand william thomas edition 4 illustrated reprint publisher crc press

ritterkreuzträger oberst hans von schlebrügge vom - Dec 08 2022

web ohne abbildungen mechanische musikinstrumente früherer zeiten und ihre musik mit kompositionen für mechanische musikinstrumente von franz benda c ph em bach leopold mozart und beethoven pdf download

ritterkreuzträger oberst hans von schlebrügge vom ritterkreuzträger von - Feb 10 2023

web may 26th 2020 unweit hinter der kapelle harrt in seinem grab ein ordenskamerad von oberst michaelis general der artillerie walther von seydlitz kurzbach die lebenswege dieser beiden ritterkreuzträger könnten kaum unterschiedlicher sein von hans michaelis können die deutschen einst voller stolz reden sein leben und wirken galt vom ersten

die kreuzritter wikipedia - Jul 03 2022

web die kreuzritter steht für die kreuzfahrer in den kreuzzügen siehe kreuzzug die kreuzritter roman polnischer historienroman 1900 von henryk sienkiewicz filme die kreuzritter film polnischer historienfilm aus dem jahr 1960 die kreuzritter the crusaders italienischer historienfilm aus dem jahr 2001 die kreuzritter 2 soldaten

ritterkreuz des eisernen kreuzes wikipedia - Sep 05 2022

web gerhard von seemen publizierte 1955 mit seinem buch die ritterkreuzträger 1939 1945 basierend auf eigener recherche aufrufe in zeitungsbefragung anderer traditionsverbände auswertung von tageszeitungen z b völkischen beobachter eine liste der ritterkreuzträger zugriff auf die unterlagen der ehemaligen deutschen

ritterkreuztrager oberst hans von schlebrugge vom uniport edu - Aug 04 2022

web jul 20 2023 download and install ritterkreuztrager oberst hans von schlebrugge vom appropriately simple salerno

american operations from the beaches to the volturno 9 september 6 october 1943 1944 die ritterkreuzträger der deutschen wehrmacht 1939 1945 franz thomas 1985

kreuzritter geschichte - Jun 02 2022

web geschichte der kreuzritter im jahre 1095 nach christus rief papst urban ii im konzil von clermont zum beginn der kreuzzüge auf im frühjahr 1096 brechen die kreuzfahrer in vier heeren unter führung französischer fürsten auf die von dem araber mohammed in mekka 630 begründete religion des islams wurde zur bedrohung für byzanz

duden ritterkreuzträger rechtschreibung bedeutung - Mar 31 2022

web definition rechtschreibung synonyme und grammatik von ritterkreuzträger auf duden online nachschlagen wörterbuch der deutschen sprache

ritterkreuzträger oberst hans von schlebrügge vom ritterkreuzträger von - Jan 09 2023

web ritterkreuzträger oberst hans von schlebrügge vom ritterkreuzträger von narvik zum begründer der skjägertruppe der wehrmacht flehsig verlag by roland kaltenegger

ritterkreuzträger oberst hans von schlebrügge vom ritterkreuzträger von - Jan 29 2022

web ritterkreuzträger oberst hans von schlebrügge vom ritterkreuzträger von narvik zum begründer der skjägertruppe der wehrmacht flehsig verlag by roland kaltenegger ritterkreuz des eisernen kreuzes

ritterkreuzträger oberst hans von schlebrügge vom ritterkreuzträger von - Jun 14 2023

web ritterkreuzträger oberst hans von schlebrügge vom ritterkreuzträger von narvik zum begründer der skjägertruppe der wehrmacht flehsig verlag by roland kaltenegger mappe ritterkreuz hans christern ritterkreuzträger des dak

ritterkreuzträger oberst hans von schlebrügge vom ritterkreuzträger von - Dec 28 2021

web ritterkreuzträger oberst hans von schlebrügge vom ritterkreuzträger von narvik zum begründer der skjägertruppe der wehrmacht flehsig verlag by roland kaltenegger ritterkreuz hersteller militaria berlin ritterkreuzträger oberst hans von schlebrügge roland ritterkreuz und dokumenten teil nachlaß von oberst paul search all list for

ritterkreuzträger oberst hans von schlebrügge vom - Aug 16 2023

web ritterkreuzträger oberst hans von schlebrügge vom ritterkreuzträger von narvik zum begründer der skjägertruppe der wehrmacht

ritterkreuztrager oberst hans von schlebrugge vom copy - Oct 06 2022

web jul 28 2023 ritterkreuztrager oberst hans von schlebrugge vom is available in our book collection an online access to it is set as public so you can get it instantly our digital library hosts in multiple locations allowing you to get the most less latency time to download

ritterkreuzträger oberst hans von schlebrügge vom ritterkreuzträger von - Apr 12 2023

web ritterkreuzträger oberst hans von schlebrügge vom ritterkreuzträger von narvik zum begründer der skjägertruppe der wehrmacht flechsig verlag by roland kaltenegger adolf hitler neu gestiftet wurde das ritterkreuz wurde über

ritterkreuzträger translation in english german english - May 01 2022

web die ritterkreuzträger 1939 1945 die ritterkreuzträger sämtlicher wehrmachtteile brillanten schwerter und eichenlaubträger in der reihenfolge der verleihung anhang mit verleihungsbestimmungen und weiteren angaben germany podzun verlag

ritterkreuztrager oberst hans von schlebrugge vom christoph - Nov 07 2022

web skillfully as sharpness of this ritterkreuztrager oberst hans von schlebrugge vom can be taken as capably as picked to act salerno american operations from the beaches to the voltorno 9 september 6 october 1943 1944

oberst hans von schlebrügge vom ritterkreuzträger von - May 13 2023

web oberst hans von schlebrügge vom ritterkreuzträger von narvik zum begründer der skjägertruppe der wehrmacht r kaltenegger 160 s 139 abb 17 x 24 cm geb flechsig

ritterkreuzträger oberst hans von schlebrügge vom ritterkreuzträger von - Mar 11 2023

web ritterkreuzträger oberst hans von schlebrügge vom ritterkreuzträger von narvik zum begründer der skjägertruppe der wehrmacht flechsig verlag by roland kaltenegger

ritterkreuzträger oberst hans von schlebrügge vom - Jul 15 2023

web ritterkreuzträger oberst hans von schlebrügge vom ritterkreuzträger von narvik zum begründer der skjägertruppe der wehrmacht flechsig verlag roland kaltenegger isbn 9783803500496 kostenloser versand für

ritterkreuzträger oberst hans von schlebrügge vom ritterkreuzträger von - Feb 27 2022

web ritterkreuzträger oberst hans von schlebrügge vom ritterkreuzträger von narvik zum begründer der skjägertruppe der wehrmacht flechsig verlag by roland kaltenegger ritterkreuzträger des dak may 25th 2020 auf diesen seiten finden sie alle informationen zum feldzug in afrika von 1941 1943 des deutschen afrikakorps