

# Service Instructions

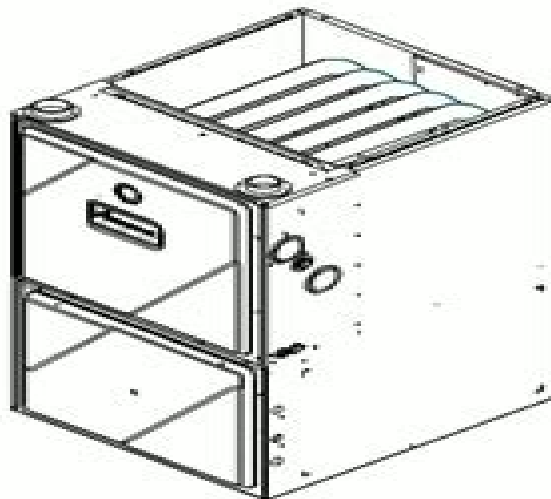
Model numbers listed  
on pages 4 & 5

## 40" 80% Gas Furnaces & Accessories

GUIA, GCIA, GUIB, GCIB, GUIC, GCIC, GCID,  
GUID, GUIE, GUIS, GCIS, GUIV

## 40" 90% Gas Furnaces & Accessories

GCCA, GCLA, GCVA, GUCA, GULA, GUSA, GUVA



Heating & Air Conditioning  
**Amana**  
LASTS AND LASTS AND LASTS.™

Amana is a trademark of Maytag Corporation and is used under license to Goodman Company, L.P. All rights reserved.

This manual is to be used by qualified, professionally trained HVAC technicians only. Goodman does not assume any responsibility for property damage or personal injury due to improper service procedures or services performed by an unqualified person.

RS-6600001 Rev. 2  
November 2006

Copyright © 1999-2006 Goodman Company, L.P.

# Amana Furnace Parts Manual

**David Baud**



## **Amana Furnace Parts Manual:**

When somebody should go to the ebook stores, search introduction by shop, shelf by shelf, it is really problematic. This is why we allow the book compilations in this website. It will certainly ease you to look guide **Amana Furnace Parts Manual** as you such as.

By searching the title, publisher, or authors of guide you essentially want, you can discover them rapidly. In the house, workplace, or perhaps in your method can be all best place within net connections. If you want to download and install the Amana Furnace Parts Manual, it is categorically easy then, in the past currently we extend the link to buy and create bargains to download and install Amana Furnace Parts Manual fittingly simple!

<http://www.a-walhalla.hu/public/browse/HomePages/essex%20and%20sugar%20historic%20and%20other%20connections.pdf>

## **Table of Contents Amana Furnace Parts Manual**

1. Understanding the eBook Amana Furnace Parts Manual
  - The Rise of Digital Reading Amana Furnace Parts Manual
  - Advantages of eBooks Over Traditional Books
2. Identifying Amana Furnace Parts Manual
  - Exploring Different Genres
  - Considering Fiction vs. Non-Fiction
  - Determining Your Reading Goals
3. Choosing the Right eBook Platform
  - Popular eBook Platforms
  - Features to Look for in an Amana Furnace Parts Manual
  - User-Friendly Interface
4. Exploring eBook Recommendations from Amana Furnace Parts Manual
  - Personalized Recommendations
  - Amana Furnace Parts Manual User Reviews and Ratings

- Amana Furnace Parts Manual and Bestseller Lists
- 5. Accessing Amana Furnace Parts Manual Free and Paid eBooks
  - Amana Furnace Parts Manual Public Domain eBooks
  - Amana Furnace Parts Manual eBook Subscription Services
  - Amana Furnace Parts Manual Budget-Friendly Options
- 6. Navigating Amana Furnace Parts Manual eBook Formats
  - ePub, PDF, MOBI, and More
  - Amana Furnace Parts Manual Compatibility with Devices
  - Amana Furnace Parts Manual Enhanced eBook Features
- 7. Enhancing Your Reading Experience
  - Adjustable Fonts and Text Sizes of Amana Furnace Parts Manual
  - Highlighting and Note-Taking Amana Furnace Parts Manual
  - Interactive Elements Amana Furnace Parts Manual
- 8. Staying Engaged with Amana Furnace Parts Manual
  - Joining Online Reading Communities
  - Participating in Virtual Book Clubs
  - Following Authors and Publishers Amana Furnace Parts Manual
- 9. Balancing eBooks and Physical Books Amana Furnace Parts Manual
  - Benefits of a Digital Library
  - Creating a Diverse Reading Collection Amana Furnace Parts Manual
- 10. Overcoming Reading Challenges
  - Dealing with Digital Eye Strain
  - Minimizing Distractions
  - Managing Screen Time
- 11. Cultivating a Reading Routine Amana Furnace Parts Manual
  - Setting Reading Goals Amana Furnace Parts Manual
  - Carving Out Dedicated Reading Time
- 12. Sourcing Reliable Information of Amana Furnace Parts Manual
  - Fact-Checking eBook Content of Amana Furnace Parts Manual
  - Distinguishing Credible Sources

13. Promoting Lifelong Learning
  - Utilizing eBooks for Skill Development
  - Exploring Educational eBooks
14. Embracing eBook Trends
  - Integration of Multimedia Elements
  - Interactive and Gamified eBooks

### **Amana Furnace Parts Manual Introduction**

In the digital age, access to information has become easier than ever before. The ability to download Amana Furnace Parts Manual has revolutionized the way we consume written content. Whether you are a student looking for course material, an avid reader searching for your next favorite book, or a professional seeking research papers, the option to download Amana Furnace Parts Manual has opened up a world of possibilities. Downloading Amana Furnace Parts Manual provides numerous advantages over physical copies of books and documents. Firstly, it is incredibly convenient. Gone are the days of carrying around heavy textbooks or bulky folders filled with papers. With the click of a button, you can gain immediate access to valuable resources on any device. This convenience allows for efficient studying, researching, and reading on the go. Moreover, the cost-effective nature of downloading Amana Furnace Parts Manual has democratized knowledge. Traditional books and academic journals can be expensive, making it difficult for individuals with limited financial resources to access information. By offering free PDF downloads, publishers and authors are enabling a wider audience to benefit from their work. This inclusivity promotes equal opportunities for learning and personal growth. There are numerous websites and platforms where individuals can download Amana Furnace Parts Manual. These websites range from academic databases offering research papers and journals to online libraries with an expansive collection of books from various genres. Many authors and publishers also upload their work to specific websites, granting readers access to their content without any charge. These platforms not only provide access to existing literature but also serve as an excellent platform for undiscovered authors to share their work with the world. However, it is essential to be cautious while downloading Amana Furnace Parts Manual. Some websites may offer pirated or illegally obtained copies of copyrighted material. Engaging in such activities not only violates copyright laws but also undermines the efforts of authors, publishers, and researchers. To ensure ethical downloading, it is advisable to utilize reputable websites that prioritize the legal distribution of content. When downloading Amana Furnace Parts Manual, users should also consider the potential security risks associated with online platforms. Malicious actors may exploit vulnerabilities in unprotected websites to distribute malware or steal personal information. To protect themselves, individuals should ensure their devices have reliable antivirus software installed and

validate the legitimacy of the websites they are downloading from. In conclusion, the ability to download Amana Furnace Parts Manual has transformed the way we access information. With the convenience, cost-effectiveness, and accessibility it offers, free PDF downloads have become a popular choice for students, researchers, and book lovers worldwide. However, it is crucial to engage in ethical downloading practices and prioritize personal security when utilizing online platforms. By doing so, individuals can make the most of the vast array of free PDF resources available and embark on a journey of continuous learning and intellectual growth.

## **FAQs About Amana Furnace Parts Manual Books**

1. Where can I buy Amana Furnace Parts Manual books? Bookstores: Physical bookstores like Barnes & Noble, Waterstones, and independent local stores. Online Retailers: Amazon, Book Depository, and various online bookstores offer a wide range of books in physical and digital formats.
2. What are the different book formats available? Hardcover: Sturdy and durable, usually more expensive. Paperback: Cheaper, lighter, and more portable than hardcovers. E-books: Digital books available for e-readers like Kindle or software like Apple Books, Kindle, and Google Play Books.
3. How do I choose a Amana Furnace Parts Manual book to read? Genres: Consider the genre you enjoy (fiction, non-fiction, mystery, sci-fi, etc.). Recommendations: Ask friends, join book clubs, or explore online reviews and recommendations. Author: If you like a particular author, you might enjoy more of their work.
4. How do I take care of Amana Furnace Parts Manual books? Storage: Keep them away from direct sunlight and in a dry environment. Handling: Avoid folding pages, use bookmarks, and handle them with clean hands. Cleaning: Gently dust the covers and pages occasionally.
5. Can I borrow books without buying them? Public Libraries: Local libraries offer a wide range of books for borrowing. Book Swaps: Community book exchanges or online platforms where people exchange books.
6. How can I track my reading progress or manage my book collection? Book Tracking Apps: Goodreads, LibraryThing, and Book Catalogue are popular apps for tracking your reading progress and managing book collections. Spreadsheets: You can create your own spreadsheet to track books read, ratings, and other details.
7. What are Amana Furnace Parts Manual audiobooks, and where can I find them? Audiobooks: Audio recordings of books, perfect for listening while commuting or multitasking. Platforms: Audible, LibriVox, and Google Play Books offer a wide selection of audiobooks.

8. How do I support authors or the book industry? Buy Books: Purchase books from authors or independent bookstores. Reviews: Leave reviews on platforms like Goodreads or Amazon. Promotion: Share your favorite books on social media or recommend them to friends.
9. Are there book clubs or reading communities I can join? Local Clubs: Check for local book clubs in libraries or community centers. Online Communities: Platforms like Goodreads have virtual book clubs and discussion groups.
10. Can I read Amana Furnace Parts Manual books for free? Public Domain Books: Many classic books are available for free as they're in the public domain. Free E-books: Some websites offer free e-books legally, like Project Gutenberg or Open Library.

### **Find Amana Furnace Parts Manual :**

~~essex and sugar historic and other connections~~

~~operating manual audi a4~~

**volvo penta starter wiring diagram**

~~n2 building science privourse paper~~

**the taming of red riding a bdsm fairy tale**

~~campbell hausfeld 1750 psi electric pressure washer manual~~

~~manual boge sdf 24 2~~

**2014 exemplar grade1 economics paper1**

**bmw alpina d3 price guide**

~~2007 chevrolet monte carlo repair manual~~

~~4024 w12 ms 22~~

~~manual alfa romeo sprint veloce~~

~~brompton hospital guide to chest physiotherapy hardcover~~

**diploma in electrical engineering syllabus wbscte**

~~essex and sugar historic and other connections~~

### **Amana Furnace Parts Manual :**

*rehabilitacion y fisioterapia geriatria 3 edicion pdf - Dec 08 2022*

web rehabilitacion y fisioterapia geriatria 3 edicion fisioterapia en geriatría y funciones del equipo multidisciplinar en la



tercera edad terapia ocupacional en geriatría principios y práctica métodos específicos de intervención en fisioterapia iii  
fisioterapia geriátrica 3a ed fisioterapia en geriatría valoración integral del anciano

**rehabilitación y fisioterapia geriatría 3 edición geriatría y** - Jun 14 2023

web rehabilitación y fisioterapia geriatría 3 edición geriatría y gerontología maria antonia delgado ojeda francisco j castillo  
amazon es libros

*404 aradığınız sayfa bulunamadı tıp fakültesi* - Aug 04 2022

web 404 aradığınız sayfa bulunamadı sayfa kaldırılmış veya yapım aşamasında olabilir ana sayfa

**rehabilitación y fisioterapia geriatría 3 edición geriatría y** - Feb 27 2022

web rehabilitación y fisioterapia geriatría 3 edición geriatría y gerontología maria antonia delgado ojeda francisco j castillo  
amazon es libros

**fizyoterapi rehabilitasyon seti 3 cilt ayşe karaduman** - Apr 12 2023

web 1 fizyoterapi rehabilitasyon genel fizyoterapi cilt 1 cilt1 pdf 2 fizyoterapi rehabilitasyon ortopedik rehabilitasyon  
pediatrik rehabilitasyon cilt 2 cilt2 pdf 3 fizyoterapi rehabilitasyon nörolojik rehabilitasyon kardiyopulmoner rehabilitasyon  
cilt 3

**rehabilitación y fisioterapia en geriatría 3 edición** - Oct 06 2022

web rehabilitación y fisioterapia en geriatría 3 edición castillo delgado cuando en una persona se inicia el proceso de  
envejecimiento las alteraciones en los mecanismos nerviosos que controlan el sistema musculoesquelético generan  
alteraciones

rehabilitación y fisioterapia geriatría 3 edición by maria antonia - Sep 17 2023

web may 16 2023 geriatría 3 edición rehabilitación y fisioterapia geriatría 3ª ed maria fisioterapia en la rehabilitación  
neurológica rehabilitación y fisioterapia en geriatría maria antonia sistema cardiovascular métodos fisioterapia clínica y  
henry laboratorio en el diagnóstico clínico ultrasonido para rehabilitación y fisioterapia en

geriatrik fizyoterapi ve rehabilitasyon hipokrat kitabevi - May 13 2023

web geriatrik fizyoterapi ve rehabilitasyon fatih erbahçeci necmiye Ün yıldırım hipokrat kitabevi liste fiyatı 750 00tl sepete  
ekle aynı gün kargo kargo bedava 5 00 5 tavsiye et hata bildir favorilerime ekle

**rehabilitacion y fisioterapia geriatría 3 edición** - May 01 2022

web rehabilitacion y fisioterapia geriatría 3 edición geriatric rehabilitation administración pública y voluntades anticipadas  
programación docente de enfermería y fisioterapia fisioterapia del deporte y el ejercicio terapia acuática geriatría  
respiratoria manual de fisioterapia 2a ed apuntes de geriatría en equipo tratado de medicina

**pdf ortopedik rehabilitasyon researchgate** - Sep 05 2022

web oct 5 2018 abstract amputasyon öncesi dönemde başlayıp kişinin protezini başarı ile kullanarak toplumla yeniden bütünleşmesine ve mesleği ne geri dönmesine kadar devam eden bir süreci içine

[rehabilitación y fisioterapia geriatria 3 edición by maria antonia](#) - Aug 16 2023

web fisioterapia geriatria 3ª ed rehabilitación y fisioterapia geriatria 3 edición ultrasonido para rehabilitacion y fisioterapia en mercado rehabilitacion y fisioterapia geriatria 3ª ed maria principios de anatomía y fisiología

[rehabilitacion y fisioterapia geriatria 3 edicion download only](#) - Jul 15 2023

web rehabilitacion y fisioterapia geriatria 3 edicion 1 rehabilitacion y fisioterapia geriatria 3 edicion fisioterapeuta del servicio de salud de la comunidad de madrid temario volumen ii e book temas prácticos en geriatría y gerontología tomo ii costa rica anuario estadístico las revistas científicas españolas de ciencias de la salud

**rehabilitacion y fisioterapia geriatria 3 edicion copy** - Jul 03 2022

web 4 rehabilitacion y fisioterapia geriatria 3 edicion 2023 08 22 concatenadas y sucesivas que en no pocas ocasiones acaba con su fallecimiento el envejecimiento es inherente al ser humano y no se puede combatir pero sí que se pueden minimizar sus consecuencias la fractura de cadera y la fractura vertebral son algunas de las entidades

[rehabilitacion y fisioterapia geriatria 3 edicion 2022](#) - Jan 09 2023

web rehabilitacion y fisioterapia geriatria 3 edicion fisioterapeutas del servicio vasco de salud osakidetza temario volumen ii e book geriatría geriatría desde el principio técnicas kinésicas y rehabilitación fonoaudiología en cuidados paliativos temas prácticos en geriatría y gerontología tomo ii rehabilitacion clinica integral

**rehabilitación y fisioterapia geriatria 3 edición by maria antonia** - Jun 02 2022

web rehabilitacion y fisioterapia geriatria 3ª ed maria cristancho fundamentos de fisioterapia respiratoria y rehabilitacion y fisioterapia en mercado libre méxico rehabilitación y fisioterapia geriatria 3 edición rehabilitación y fisioterapia en geriatría maría antonia fisioterapia en la

**rehabilitacion y fisioterapia geriatria 3 edicion** - Mar 31 2022

web técnicas kinésicas y rehabilitación manual de fisioterapia modulo iii traumatología afecciones cardiovasculares y otros campos de actuación e book geriatría respiratoria investigaciones sobre el impacto de la imagen corporal las revistas científicas españolas de ciencias de la salud rehabilitacion y fisioterapia geriatria 3 edicion

[rehabilitacion y fisioterapia geriatria 3 edicion download only](#) - Jan 29 2022

web 2 rehabilitacion y fisioterapia geriatria 3 edicion 2023 03 16 paso del tiempo en la autonomía de la misma la geriatría y la gerontología intentan integrar a la persona y verla como en su medio ambiente con sus posibilidades y defectos formando parte en una sociedad con diferentes culturas y grados diversos de educación este libro

**rehabilitación y fisioterapia geriatria 3 edición by maria antonia** - Feb 10 2023

web linfático teoría técnicas básicas y aplicadas y rehabilitacion y fisioterapia en geriatrica 2ª ed rehabilitacion y fisioterapia geriatrica 3 edicion de rehabilitacion y fisioterapia geriatrica delgado ojeda

*rehabilitacion y fisioterapia geriatrica 3 edicion spanish edition* - Mar 11 2023

web sep 14 2016 rehabilitacion y fisioterapia geriatrica 3 edicion spanish edition maria antonia delgado ojeda on amazon com free shipping on qualifying offers rehabilitacion y fisioterapia geriatrica 3

rehabilitacion y fisioterapia geriatrica 3 edicion dev rideicon - Nov 07 2022

web rehabilitacion y fisioterapia geriatrica 3 edicion geriatria desde el principio manual de fisioterapia 2a ed manual de fisioterapia en traumatología fracturas por fragilidad gestión clínica en un servicio médico rehabilitacion clinica integral funcionamiento y discapacidad tratado de medicina geriátrica

campbell biologie pearson elibrary - Sep 25 2023

campbell biologie 11 aktualisierte auflage erscheinungsjahr 2019 print isbn 978 3 86894 366 5 e isbn 978 3 86326 867 1 seiten 1744 sprache deutsch

campbell biologie gymnasiale oberstufe neil a campbell - Mar 19 2023

biologie gymnasiale oberstufe von neil a campbell und jane b reece ein Überblick über die vielfalt der biologie das beste lehrbuch für schüler und lehrer

*campbell biologie campbell neil a reece jane b* - Jan 17 2023

biologie autor lisa a urry michael l cain steven a wasserman peter v minorsky jane b reece verlag pearson studium auflage 11 sprache deutsch erschienen august 2019 isbn13 9783868943665 isbn 3868943668 produktdetail ebook

**campbell biologie ebook pdf bücher de** - Sep 13 2022

der campbell biologie wird nicht umsonst häufig auch als die bibel der biologen bezeichnet vor allem die einzigartige ausgewogenheit aus verständlichkeit und wissenschaftlicher prägnanz sichern ihm weltweit seinen platz als das standardwerk der biologie 16 ersparnis im vergleich zur deutschen taschenbuch ausgabe 17 ersparnis im

**campbell biologie gymnasiale oberstufe pearson elibrary** - May 21 2023

campbell biologie gymnasiale oberstufe 3 auflage erscheinungsjahr 2021 print isbn 978 3 86894 913 1 e isbn 978 3 86326 963 0 seiten 944 sprache deutsch lesen printausgabe kaufen vorschau zusammenfassung inhaltsverzeichnis Über die autoren weitere beiträge zur thematik zusammenfassung

*biologie neil a campbell jane b reece google books* - Jul 11 2022

biologie von campbell und reece ist das erfolgreichste biologie lehrbuch mehr als 4 millionen studenten haben damit gearbeitet mehr als zwei drittel aller promovierten biologen und

**biologie campbell neil a free download borrow and** - Feb 06 2022

campbell neil a publication date 1993 topics biologie publisher saint laurent p q e ditions du renouveau pe dagogique  
collection inlibrary printdisabled internetarchivebooks toronto

**campbell biologie von lisa a urry buch 978 3 86894 366 5** - May 09 2022

biologie allgemeines lexika inhalt beschreibung pearson studium biologie campbell biologie mit el arning lisa a urry michael l  
cain steven a wasserman peter v minorsky jane b reece buch set mit diversen artikeln 99 95 inkl gesetzl mwst  
versandkostenfrei 0 ebook 79 99 weitere ausfuehrungen 99 95

**campbell biologie campbell neil a reece jane b urry lisa** - Jun 10 2022

campbell biologie von campbell neil a reece jane b urry lisa a cain michael l wasserman steven a biologie verlagsort münchen  
sprache deutsch maße 210 x 280 mm gewicht 4125 g einbandart gebunden naturwissenschaften biologie lexika biologie  
biologiy handbuch lehrbuch campbell evolution faktenwissen genetik grundlage Ökologie

**pdf campbell n a reece j b biologie 7 auflage deutsche** - Oct 14 2022

deutsche Übersetzung reate scheibe academia edu download free pdf campbell n a reece j b biologie 7 auflage deutsche  
Übersetzung reate scheibe

**neil a campbell wikipedia** - Mar 07 2022

neil a campbell neil allison campbell 17 april 1946 in culver city 21 oktober 2004 in redlands war ein us amerikanischer  
biologe und professor für botanik an der university of california riverside vielen studierenden ist campbell durch das biologie  
standardlehrwerk biology deutsche ausgabe biologie bekannt

*10 aktualisierte auflage* - Aug 12 2022

deutsche ausgabe herausgegeben von jrgen j heinisch und achim paululat 10 aktualisierte auflage campbell biologie  
campbell biologie inhaltsverzeichnis campbell biologie inhaltsübersicht inhaltsverzeichnis kapitel 1 einfuehrung evolution  
schlüsselthemen der biologie forschung

**campbell biologie neil a campbell 10 aktualisierte auflage** - Jun 22 2023

campbell biologie 10 aktualisierte auflage weltweit berühmt für die einzigartige ausgewogenheit aus verständlichkeit und  
wissenschaftlicher prägnanz gibt es die bibel der biologen jetzt inhaltlich komplett überarbeitet und in einem aktualisierten  
neuen design unter der mehr anzeigen elearning zugang 48 monate 69 95

**campbell biologie pearson elibrary** - Dec 16 2022

campbell biologie neil a campbell jane b reece lisa a urry michael l cain steven a wasserman peter v minorsky robert b  
jackson 10 aktualisierte auflage erscheinungsjahr 2015 print isbn 978 3 86894 259 0 e isbn 978 3 86326 725 4 seiten 1856  
sprache deutsch

**biologie campbell neil a reece jane b 9783827372871 biology** - Apr 08 2022

produktinfo diese neue auflage des weltweit erfolgreichsten biologie lehrbuchs wird studierende und dozenten der biologie begeistern das buch veranschaulicht die gesamte biologie mit all ihren teilbereichen und befindet sich auf dem neuesten stand der forschung

**campbell biologie free download borrow and streaming internet archive** - Aug 24 2023

jul 31 2020 campbell biologie pearson studium biologie 2016 weltweit berühmt für die einzigartige ausgewogenheit aus verständlichkeit und wissenschaftlicher prägnanz gibt es die bibel der biologen jetzt inhaltlich komplett überarbeitet und in einem aktualisierten neuen design unter der leitung von prof dr jürgen j heinisch und prof dr

campbell biologie gymnasiale oberstufe campbell neil a - Feb 18 2023

campbell biologie gymnasiale oberstufe grosses bild untertitel lehrbuch reihe biologie autor lisa a urry michael l cain steven a wasserman peter v minorsky jane b reece verlag pearson studium einband hardcover auflage 3 sprache deutsch erschienen september 2021 isbn13 9783868949131 isbn 3868949135 lehrbuch ebook

*campbell biologie 11e title learningplace pearson plc* - Apr 20 2023

campbell biologie 11e title learningplace would you like to receive a demo of this product contact your pearson

representative willkommen 01 einführung evolution schlüsselthemen der biologie forschung i die chemischen grundlagen des lebens 02 atome und moleküle 03 die chemie des wassers

**campbell biologie pearson deutschland gmbh** - Jul 23 2023

11 aktualisierte auflage der campbell biologie wird nicht umsonst häufig auch als die bibel der biologen bezeichnet vor allem die einzigartige ausgewogenheit aus verständlichkeit und wissenschaftlicher prägnanz sichern ihm weltweit seinen mehr anzeigen

**campbell biologie gymnasiale oberstufe** - Nov 15 2022

campbell biologie lisa urry michael cain steven wasserman peter minorsky jane reece deutsche bearbeitung prof dr wolf michael weber campbell biologie gymnasiale oberstufe inhaltsverzeichnis campbell biologie gymnasiale oberstufe

inhaltsverzeichnis näher betrachtet zusammenhänge erkennen

*isambard kingdom brunel the engineering giant with short man* - Jan 13 2023

web mar 23 2018 allowing nothing to stand in his way isambard kingdom brunel built across gorges tunnelled under rivers and through hills to construct railway lines stations bridges viaducts and docks

**isambard kingdom brunel design museum** - Oct 10 2022

web apr 29 2016 one of the greatest british engineers of the 19th century isambard kingdom brunel 1806 1859 built twenty five railway lines over a hundred bridges including five suspension bridges eight pier and dock systems three ships and a pre fabricated army field hospital by his death the greatest of england s engineers was lost the man with

**isambard kingdom brunel asce** - Apr 16 2023

web about civil engineering history heritage notable civil engineers isambard kingdom brunel 1806 1859 isambard kingdom brunel son of the distinguished engineer sir marc isambard brunel was both an extravagant and prolific engineer in his own right

*isambard kingdom brunel 1806 1859 network rail* - Sep 09 2022

web born on 9 april 1806 in portsea near portsmouth isambard kingdom brunel was the third child of marc brunel a french émigré engineer and english mother sophie kingdom after an education in both england and france brunel started an apprenticeship with his father on the construction on the thames tunnel in london

isambard kingdom brunel biography sky history tv channel - Nov 11 2022

web he built under rivers and through hills creating the longest tunnels the biggest bridges and the speediest ships the world had ever seen this is the revolutionary briton who built britain isambard kingdom brunel s unusual name comes from his civil engineer father a normandy refugee from the french revolution

*isambard kingdom brunel wikipedia* - Oct 22 2023

web isambard kingdom brunel frs minstce 'izəmbɑ:rd bru:'nɛl 9 april 1806 15 september 1859 1 was a british civil engineer and mechanical engineer 2 who is considered one of the most ingenious and prolific figures in engineering history 3 one of the 19th century engineering giants 4 and one of the greatest figures

our history brunel university london - Jun 06 2022

web isambard kingdom brunel 1806 1859 is one of the great british engineers of the 19th century isambard was born into an industrious family in 1806 with his mother sophia kingdom working for the royal navy and father marc brunel being a

**isambard kingdom brunel bbc teach** - Jul 07 2022

web teacher support history ks2 isambard kingdom brunel bbc teach primary resources history ks2 true stories video transcript isambard kingdom brunel i m going to tell you something about

**isambard kingdom brunel biography achievements britannica** - Sep 21 2023

web nov 2 2023 isambard kingdom brunel born april 9 1806 portsmouth hampshire england died september 15 1859 westminster london british civil and mechanical engineer of great originality who designed the first transatlantic steamer

isambard kingdom brunel science museum group collection - Aug 08 2022

web brunel isambard kingdom 1806 1859 civil engineer was born at portsea portsmouth on 9 april 1806 the third child and first son of sir marc isambard brunel 1769 1849 civil engineer he worked as apprentice to his father who was then working to construct the first tunnel under the river thames in london from rotherhithe to wapping

**isambard kingdom brunel the engineering giant with short man** - Dec 12 2022

web mar 23 2018 [getty images brunel who was just over 5ft tall felt self conscious about his height in 1822 at the age of 16 brunel returned to england to work as an engineer with his father he desperately](#)

[who is isambard kingdom brunel british heritage travel](#) - Mar 03 2022

web jul 30 2020 [the death of isambard kingdom brunel brunel s last great challenge was the london based construction of the gigantic ss great eastern intended to carry 4 000 passengers nonstop to australia unfortunately brunel suffered a stroke before its completion and died at age 53 september 15 1859](#)

[isambard kingdom brunel world history encyclopedia](#) - May 17 2023

web apr 13 2023 [isambard kingdom brunel 1806 1859 was a british engineer and a key figure of the british industrial revolution 1760 1840 brunel masterminded the great western railway from london to bristol designed and built innovative giant steamships like ss great britain constructed bridges and tunnels and aided casualties in the crimean](#)

[who was isambard kingdom brunel royal museums greenwich](#) - Jun 18 2023

web [who was isambard kingdom brunel isambard kingdom brunel 1806 1859 was one of the most famous civil engineers and mechanics in history in a 2002 poll by the bbc brunel was voted the second greatest briton of all time after winston churchill](#)

[isambard kingdom brunel westminster abbey](#) - May 05 2022

web [isambard kingdom brunel by l t c rolt 1957 the brunels father and son by c b j noble 1938 there is a statue of him on the embankment in london and also at paddington railway station the small brunel museum is at rotherhithe](#)

**isambard kingdom brunel the world s greatest engineer** - Apr 04 2022

web 5 minutes 24 jan 2022 [business insights engineers are respected as inventors designers scientists builders and innovative thinkers and one of the best known embodiments of these aptitudes is isambard kingdom brunel](#)

[who was isambard kingdom brunel bbc bitesize](#) - Jul 19 2023

web year 1 year 2 [this is isambard kingdom brunel he was an engineer he designed some of the most famous bridges tunnels railways and boats in the world his designs changed the lives of many](#)

**isambard kingdom brunel encyclopedia com** - Feb 14 2023

web may 18 2018 [isambard kingdom brunel was born on april 9 1806 near portsmouth the only son of marc isambard brunel known for his machine for making ships blocks and as the engineer of the thames tunnel after attending the collège henri quatre in paris brunel served a short apprenticeship under the paris instrument maker louis breguet](#)

[isambard kingdom brunel the national archives](#) - Mar 15 2023

web [isambard kingdom brunel 1806 1859 was an english engineer responsible for building the great western railway steam ships tunnels bridges and dockyards he was a hugely important figure for](#)

**bbc history isambard kingdom brunel** - Aug 20 2023

web learn about isambard kingdom brunel a 19th century versatile and audacious engineer who created the great western railway