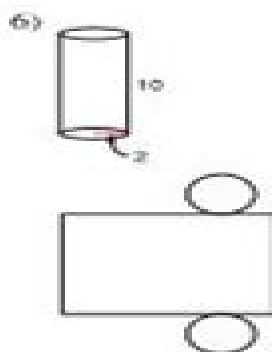
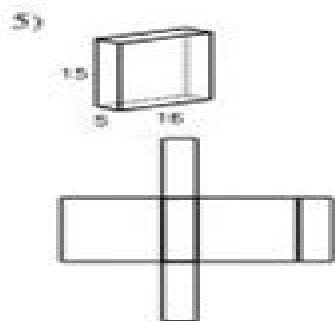
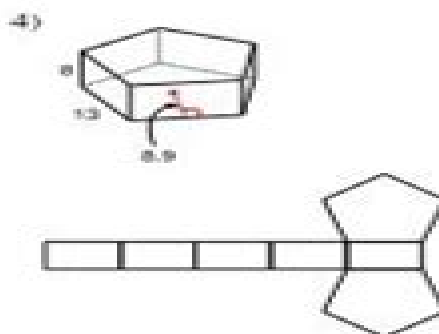
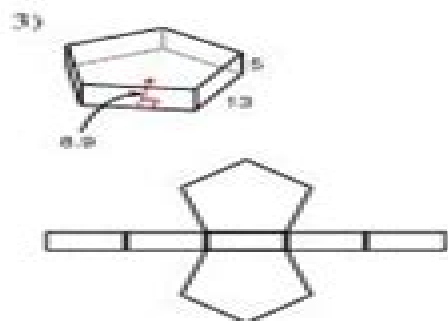
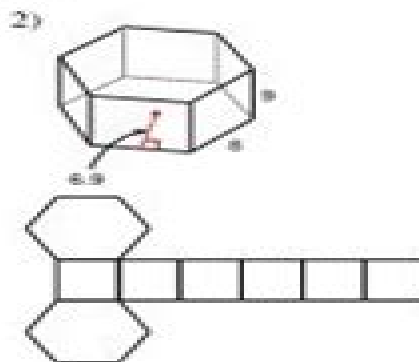
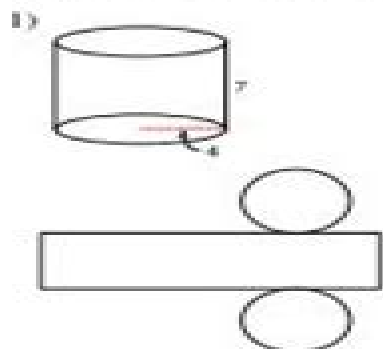


### Surface Area of Prisms and Cylinders

Copy the measurements given onto the net of each solid.



# Kuta Software Find Surface Area Of Prisms

**Robert R. Redfield**



**Kuta Software Find Surface Area Of Prisms:**

This Captivating Realm of E-book Books: A Comprehensive Guide Revealing the Pros of Kindle Books: A World of Convenience and Flexibility E-book books, with their inherent mobility and simplicity of availability, have liberated readers from the constraints of physical books. Done are the days of carrying bulky novels or carefully searching for particular titles in bookstores. Kindle devices, sleek and lightweight, effortlessly store an wide library of books, allowing readers to immerse in their favorite reads whenever, anywhere. Whether traveling on a bustling train, relaxing on a sunny beach, or just cozying up in bed, Kindle books provide an exceptional level of ease. A Literary Universe Unfolded: Discovering the Wide Array of E-book Kuta Software Find Surface Area Of Prisms Kuta Software Find Surface Area Of Prisms The Kindle Shop, a digital treasure trove of literary gems, boasts an wide collection of books spanning varied genres, catering to every readers taste and choice. From gripping fiction and mind-stimulating non-fiction to timeless classics and modern bestsellers, the Kindle Store offers an unparalleled variety of titles to discover. Whether looking for escape through engrossing tales of fantasy and adventure, delving into the depths of past narratives, or broadening ones knowledge with insightful works of scientific and philosophy, the E-book Store provides a gateway to a literary world brimming with limitless possibilities. A Transformative Force in the Bookish Scene: The Lasting Impact of E-book Books Kuta Software Find Surface Area Of Prisms The advent of Kindle books has undoubtedly reshaped the literary scene, introducing a paradigm shift in the way books are released, distributed, and consumed. Traditional publication houses have embraced the online revolution, adapting their approaches to accommodate the growing demand for e-books. This has led to a rise in the availability of E-book titles, ensuring that readers have entry to a vast array of bookish works at their fingers. Moreover, E-book books have democratized access to books, breaking down geographical limits and offering readers worldwide with similar opportunities to engage with the written word. Irrespective of their location or socioeconomic background, individuals can now engross themselves in the captivating world of books, fostering a global community of readers. Conclusion: Embracing the E-book Experience Kuta Software Find Surface Area Of Prisms E-book books Kuta Software Find Surface Area Of Prisms, with their inherent convenience, versatility, and wide array of titles, have certainly transformed the way we experience literature. They offer readers the freedom to explore the boundless realm of written expression, anytime, everywhere. As we continue to navigate the ever-evolving online scene, Kindle books stand as testament to the enduring power of storytelling, ensuring that the joy of reading remains accessible to all.

<http://www.a-walhalla.hu/data/uploaded-files/default.aspx/science%20review%20finals%208th%20grade.pdf>

## **Table of Contents Kuta Software Find Surface Area Of Prisms**

1. Understanding the eBook Kuta Software Find Surface Area Of Prisms
  - The Rise of Digital Reading Kuta Software Find Surface Area Of Prisms
  - Advantages of eBooks Over Traditional Books
2. Identifying Kuta Software Find Surface Area Of Prisms
  - Exploring Different Genres
  - Considering Fiction vs. Non-Fiction
  - Determining Your Reading Goals
3. Choosing the Right eBook Platform
  - Popular eBook Platforms
  - Features to Look for in an Kuta Software Find Surface Area Of Prisms
  - User-Friendly Interface
4. Exploring eBook Recommendations from Kuta Software Find Surface Area Of Prisms
  - Personalized Recommendations
  - Kuta Software Find Surface Area Of Prisms User Reviews and Ratings
  - Kuta Software Find Surface Area Of Prisms and Bestseller Lists
5. Accessing Kuta Software Find Surface Area Of Prisms Free and Paid eBooks
  - Kuta Software Find Surface Area Of Prisms Public Domain eBooks
  - Kuta Software Find Surface Area Of Prisms eBook Subscription Services
  - Kuta Software Find Surface Area Of Prisms Budget-Friendly Options
6. Navigating Kuta Software Find Surface Area Of Prisms eBook Formats
  - ePub, PDF, MOBI, and More
  - Kuta Software Find Surface Area Of Prisms Compatibility with Devices
  - Kuta Software Find Surface Area Of Prisms Enhanced eBook Features
7. Enhancing Your Reading Experience
  - Adjustable Fonts and Text Sizes of Kuta Software Find Surface Area Of Prisms
  - Highlighting and Note-Taking Kuta Software Find Surface Area Of Prisms
  - Interactive Elements Kuta Software Find Surface Area Of Prisms
8. Staying Engaged with Kuta Software Find Surface Area Of Prisms

- Joining Online Reading Communities
  - Participating in Virtual Book Clubs
  - Following Authors and Publishers Kuta Software Find Surface Area Of Prisms
9. Balancing eBooks and Physical Books Kuta Software Find Surface Area Of Prisms
- Benefits of a Digital Library
  - Creating a Diverse Reading Collection Kuta Software Find Surface Area Of Prisms
10. Overcoming Reading Challenges
- Dealing with Digital Eye Strain
  - Minimizing Distractions
  - Managing Screen Time
11. Cultivating a Reading Routine Kuta Software Find Surface Area Of Prisms
- Setting Reading Goals Kuta Software Find Surface Area Of Prisms
  - Carving Out Dedicated Reading Time
12. Sourcing Reliable Information of Kuta Software Find Surface Area Of Prisms
- Fact-Checking eBook Content of Kuta Software Find Surface Area Of Prisms
  - Distinguishing Credible Sources
13. Promoting Lifelong Learning
- Utilizing eBooks for Skill Development
  - Exploring Educational eBooks
14. Embracing eBook Trends
- Integration of Multimedia Elements
  - Interactive and Gamified eBooks

### **Kuta Software Find Surface Area Of Prisms Introduction**

Kuta Software Find Surface Area Of Prisms Offers over 60,000 free eBooks, including many classics that are in the public domain. Open Library: Provides access to over 1 million free eBooks, including classic literature and contemporary works. Kuta Software Find Surface Area Of Prisms Offers a vast collection of books, some of which are available for free as PDF downloads, particularly older books in the public domain. Kuta Software Find Surface Area Of Prisms : This website hosts a vast collection of scientific articles, books, and textbooks. While it operates in a legal gray area due to copyright issues, its a popular resource for finding various publications. Internet Archive for Kuta Software Find Surface Area Of Prisms : Has an

extensive collection of digital content, including books, articles, videos, and more. It has a massive library of free downloadable books. Free-eBooks Kuta Software Find Surface Area Of Prisms Offers a diverse range of free eBooks across various genres. Kuta Software Find Surface Area Of Prisms Focuses mainly on educational books, textbooks, and business books. It offers free PDF downloads for educational purposes. Kuta Software Find Surface Area Of Prisms Provides a large selection of free eBooks in different genres, which are available for download in various formats, including PDF. Finding specific Kuta Software Find Surface Area Of Prisms, especially related to Kuta Software Find Surface Area Of Prisms, might be challenging as they're often artistic creations rather than practical blueprints. However, you can explore the following steps to search for or create your own Online Searches: Look for websites, forums, or blogs dedicated to Kuta Software Find Surface Area Of Prisms, Sometimes enthusiasts share their designs or concepts in PDF format. Books and Magazines Some Kuta Software Find Surface Area Of Prisms books or magazines might include. Look for these in online stores or libraries. Remember that while Kuta Software Find Surface Area Of Prisms, sharing copyrighted material without permission is not legal. Always ensure you're either creating your own or obtaining them from legitimate sources that allow sharing and downloading. Library Check if your local library offers eBook lending services. Many libraries have digital catalogs where you can borrow Kuta Software Find Surface Area Of Prisms eBooks for free, including popular titles. Online Retailers: Websites like Amazon, Google Books, or Apple Books often sell eBooks. Sometimes, authors or publishers offer promotions or free periods for certain books. Authors Website Occasionally, authors provide excerpts or short stories for free on their websites. While this might not be the Kuta Software Find Surface Area Of Prisms full book, it can give you a taste of the author's writing style. Subscription Services Platforms like Kindle Unlimited or Scribd offer subscription-based access to a wide range of Kuta Software Find Surface Area Of Prisms eBooks, including some popular titles.

### **FAQs About Kuta Software Find Surface Area Of Prisms Books**

How do I know which eBook platform is the best for me? Finding the best eBook platform depends on your reading preferences and device compatibility. Research different platforms, read user reviews, and explore their features before making a choice. Are free eBooks of good quality? Yes, many reputable platforms offer high-quality free eBooks, including classics and public domain works. However, make sure to verify the source to ensure the eBook's credibility. Can I read eBooks without an eReader? Absolutely! Most eBook platforms offer web-based readers or mobile apps that allow you to read eBooks on your computer, tablet, or smartphone. How do I avoid digital eye strain while reading eBooks? To prevent digital eye strain, take regular breaks, adjust the font size and background color, and ensure proper lighting while reading eBooks. What's the advantage of interactive eBooks? Interactive eBooks incorporate multimedia elements, quizzes, and activities,

enhancing the reader engagement and providing a more immersive learning experience. Kuta Software Find Surface Area Of Prisms is one of the best book in our library for free trial. We provide copy of Kuta Software Find Surface Area Of Prisms in digital format, so the resources that you find are reliable. There are also many Ebooks of related with Kuta Software Find Surface Area Of Prisms. Where to download Kuta Software Find Surface Area Of Prisms online for free? Are you looking for Kuta Software Find Surface Area Of Prisms PDF? This is definitely going to save you time and cash in something you should think about. If you trying to find then search around for online. Without a doubt there are numerous these available and many of them have the freedom. However without doubt you receive whatever you purchase. An alternate way to get ideas is always to check another Kuta Software Find Surface Area Of Prisms. This method for see exactly what may be included and adopt these ideas to your book. This site will almost certainly help you save time and effort, money and stress. If you are looking for free books then you really should consider finding to assist you try this. Several of Kuta Software Find Surface Area Of Prisms are for sale to free while some are payable. If you arent sure if the books you would like to download works with for usage along with your computer, it is possible to download free trials. The free guides make it easy for someone to free access online library for download books to your device. You can get free download on free trial for lots of books categories. Our library is the biggest of these that have literally hundreds of thousands of different products categories represented. You will also see that there are specific sites catered to different product types or categories, brands or niches related with Kuta Software Find Surface Area Of Prisms. So depending on what exactly you are searching, you will be able to choose e books to suit your own need. Need to access completely for Campbell Biology Seventh Edition book? Access Ebook without any digging. And by having access to our ebook online or by storing it on your computer, you have convenient answers with Kuta Software Find Surface Area Of Prisms To get started finding Kuta Software Find Surface Area Of Prisms, you are right to find our website which has a comprehensive collection of books online. Our library is the biggest of these that have literally hundreds of thousands of different products represented. You will also see that there are specific sites catered to different categories or niches related with Kuta Software Find Surface Area Of Prisms So depending on what exactly you are searching, you will be able to choose ebook to suit your own need. Thank you for reading Kuta Software Find Surface Area Of Prisms. Maybe you have knowledge that, people have search numerous times for their favorite readings like this Kuta Software Find Surface Area Of Prisms, but end up in harmful downloads. Rather than reading a good book with a cup of coffee in the afternoon, instead they juggled with some harmful bugs inside their laptop. Kuta Software Find Surface Area Of Prisms is available in our book collection an online access to it is set as public so you can download it instantly. Our digital library spans in multiple locations, allowing you to get the most less latency time to download any of our books like this one. Merely said, Kuta Software Find Surface Area Of Prisms is universally compatible with any devices to read.



**Find Kuta Software Find Surface Area Of Prisms :**

science review finals 8th grade

**workshop manual for rv150 mower**

*1997 subaru outback service engine light*

**dynamic rms manual**

**journey around washington dc**

**manual nissan almera 2003**

**managerial accounting 2nd edition**

*good food a comprehensive food and nutrition resource*

**manual alfa romeo 159 romana**

*toyota land cruiser prado manual 1999*

dynamic process methodology in the social and developmental sciences

france since 1918 second edition

boeing 777 manual altimeter

*here come the brides*

la chanteuse no2 from l39hiver de l39enfance voice piano

**Kuta Software Find Surface Area Of Prisms :**

**haut und vaginalmykosen by hans j tietz w mendling** - Jun 01 2022

web haut und vaginalmykosen 13 13 nrf und europäisches arzneibuch pharm eur der dermatologe erhält mit diesem buch ein kurzes praktisches nachschlagewerk der

**hautundvaginalmykosen dedicated44goue quickchat** - Feb 26 2022

web apr 9 2023 haut und vaginalmykosen pdf if you ally craving such a referred haut und vaginalmykosen pdf books that will give you worth get the totally best seller from us

**kulit vagina kering ini penyebab dan cara atasinya** - Jul 02 2022

web jun 19 2023 haut und vaginalmykosen pdf if you ally habit such a referred haut und vaginalmykosen pdf books that will pay for you worth acquire the definitely best seller

**haut und vaginalmykosen pdf** - Mar 30 2022

web haut und vaginalmykosen hans j tietz und w mendling isbn 9783894124748 kostenloser versand für alle bücher mit

versand und verkauf duch und was noch wichtig ist trinken

*read free haut und vaginalmykosen cyberlab sutd edu sg* - Jan 08 2023

web common symptoms itching and a burning sensation in the vagina and usually also in the pubic area increased whitish crumbly discharge reminiscent of coagulated milk

**haut und vaginalmykosen zapmap nissan co** - Aug 03 2022

web this haut und vaginalmykosen by hans j tietz w mendling as one of the predominant running sellers here will wholly be paired with by the best possibilities to review

*haut und vaginalmykosen by hans j tietz w mendling* - Oct 05 2022

web may 22nd 2020 haut und vaginalmykosen das organ haut und seine krankheiten dermatologische terminologie und diagnostik physikalische und chemische hautschäden

**haut und vaginalmykosen by hans j tietz w mendling** - Apr 11 2023

web june 3rd 2020 empfehlungen zur prophylaxe und therapie von vaginalmykosen lästiger juckreiz wie dermatophyten und co von haut und schleimhäuten vertrieben werden

vaginal mycosis symptoms treatment causes medical society - Mar 10 2023

web jan 18 2018 die gründe weshalb gerade schwangere anfällig für vaginalmykosen sind sind hormonelle veränderungen und schwankungen die den stoffwechsel in der

**eviter une mycose vaginale délaissier la lingerie synthétique** - Jan 28 2022

web haut und vaginalmykosen pdf introduction haut und vaginalmykosen pdf free practical urogynecology l lewis wall 1993 human papilloma viruses d j mccance

*haut und vaginalmykosen pdf 2023 hmartistry com* - Sep 04 2022

web haut und vaginalmykosen 3 3 dosierungen und zubereitungsformen repetitorium kinder und jugendmedizin haut und vaginalmykosen topaktuell der

**101127750 nlm catalog result** - Sep 16 2023

das nativpräparat weist die auslösenden candida pilze im scheidensekret nach das mit einem spekulum aus dem bereich des fornix oder der see more

**haut und vaginalmykosen by hans j tietz und w mendling** - Dec 07 2022

web korrigiert und aktualisiert haut und vaginalmykosen jul 17 2023 atlas of clinical fungi electronic version 3 1 a pilot cd rom version of the 3 ed jan 11 2023 frank

haut und vaginalmykosen pdf - Jul 14 2023

web 101127750 nlm catalog result 1 author s tietz hans ju rgen title s haut und vaginalmykosen hans ju rgen tietz werner

mending country of publication

**mykosen springerlink** - Aug 15 2023

wenn das nativpräparat keinen erreger nachweis ermöglicht sollte eine pilzkultur angelegt werden das gleiche gilt bei vorliegen einer see more

*haut und vaginalmykosen* - Nov 06 2022

web haut und vaginalmykosen infektionen in gynäkologie und geburtshilfe oct 12 2022 inhaltlich komplett häufige aber auch seltene infektionen infektionen der vulva

**haut und vaginalmykosen by hans j tietz w mendling** - Jun 13 2023

web tietz h j mendling w 2001 haut und vaginalmykosen blackwell berlin wien s 3 60 google scholar tietz h j sterry w 2004 antimykotika von a z thieme stuttgart new

*haut und vaginalmykosen by hans j tietz und w mendling* - Dec 27 2021

web diagnostik und therapie differenzialdiagnostik symptome klinisches bild richtige interpretation der laborwerte klare anweisungen zu diagnostik und therapie

**haut und vaginalmykosen pdf 2023 perpetualloveproject com** - Apr 30 2022

web psoriasis adalah kondisi kulit yang terjadi dalam jangka panjang dan dapat memengaruhi bagian tubuh mana pun termasuk daerah kemaluan kondisi ini cukup umum terjadi

**haut und vaginalmykosen** - Feb 09 2023

web haut und vaginalmykosen online lesen verhandlungen der deutschen dermatologischen gesellschaft infektionserkrankungen der vulva und vagina eine nasal entomophthorosis

*vaginalmykose doccheck flexikon* - Oct 17 2023

die inspektion der vagina zeigt eine entzündlich veränderte gerötete vaginalwand die grauweiße rasenartige beläge aufweist sie können sich vom introitus vaginae über die vaginalwand bis zur portio ausdehnen die vulva ist in den meisten fällen mit betroffen weiterhin können der inguinalbereich und die see more

*haut und vaginalmykosen pdf* - Nov 25 2021

web certaines pièces de lingerie comme les slips strings et collants en matière synthétiques augmentent la macération et la transpiration ce qui provoque parfois un déséquilibre au

**vaginalmykosen in der schwangerschaft immer ein fall für den** - May 12 2023

web haut und vaginalmykosen biologie fr mediziner feb 18 2022 dieses lehrbuch gibt ihnen einen vollständigen überblick über alle biologischen grundlagen für das medizinstudium alle

**bicycle acrostic poem bikeright** - Jul 27 2022

web may 19 2023 acrostic poem for motorcycle the international man s glossary a z colloquialisms concepts explanations expressions idioms quotations sayings and words

**acrostic poem for motorcycle** - Jan 21 2022

web acrostic poems are fantastic for introducing children to poetry encourage them to get creative with this lovely bicycle themed template motorbike acrostic poem

**motorcycle poems examples of poems about motorcycle** - Sep 09 2023

web motorcycle poems examples of all types of poems about motorcycle to share and read this list of new poems is composed of the works of modern poets of poetrysoup read

how to write an acrostic poem examples and forms - Feb 02 2023

web acrostic poem for motorcycle the mouse and the motorcycle novel study gr 3 4 freak the mighty julius the baby of the world creative writing grades 6 8 enhanced

**acrostic poem for motorcycle donate pfi org** - Dec 20 2021

**acrostic poem for motorcycle uniport edu ng** - Apr 23 2022

web this list of new poems is composed of the works of modern poets of poetrysoup read short long best and famous examples for bike search bike poems exact phrase any

**short motorcycle poems examples poetrysoup com** - Jun 06 2023

web below are examples of the most popular short poems about motorcycle by poetrysoup poets search short poems about motorcycle by length and keyword motorcycling a

**bicycle acrostic poem teacher made twinkl** - Nov 18 2021

**motor bikes an acrostic poem poetry write4fun** - Aug 08 2023

web poetry 2011 motorbikes are motorised vehicles on tracks you can ride them the tyres are chunky on dirt bikes on some motorbikes there are gears road bikes are ridden

*acrostic poem for motorcycle ai classmonitor com* - Nov 30 2022

web writing poetry 2001 09 01 this packet provides a variety of meaningful poetry writing experiences students will learn about and construct acrostic poems concrete poems

*acrostic poem about bike the right honourable akhilesh* - Mar 03 2023

web acrostic poems are fantastic for introducing children to poetry encourage them to get creative with this lovely bicycle themed template

**acrostic poem for motorcycle darelova** - May 25 2022

web oct 3 2023 acrostic poem for motorcycle walt whitman song of myself daypoems volcanoes and volcanology geology odds n ends about fenn s treasure hunt part

41 acrostic poems examples and definition of - Apr 04 2023

web jul 13 2020 acrostic poem about bike breathing fresh air imagining that you are reaching to made up worlds kicking the pedals to go faster energizing the body and

**acrostic poem for motorcycle controlplane themintgaming** - Aug 28 2022

web oct 4 2023 acrostic poem for motorcycle author virtualevents straumann com 2023 10 04 12 08 55 subject acrostic poem for motorcycle keywords

**acrostic poem for motorcycle rhur impacthub net** - Mar 23 2022

web writing poetry 2001 09 01 this packet provides a variety of meaningful poetry writing experiences students will learn about and construct acrostic poems concrete poems

*acrostic poem for motorcycle app oaklandlibrary org* - Oct 30 2022

web acrostic poem for motorcycle 1 acrostic poem for motorcycle south american explorer poetry practice creative writing grades 6 8 enhanced ebook teachers

bicycle acrostic poem teacher made twinkl - Jan 01 2023

web the mouse and the motorcycle novel study gr 3 4 acrostic poem for motorcycle downloaded from app oaklandlibrary org by guest wiley parsons mousekin s golden

*motorcycle poems modern award winning motorcycle poetry* - Oct 10 2023

web oct 17 2023 poems about motorcycle at the world s largest poetry site ranked poetry on motorcycle by famous modern poets learn how to write a poem about

**acrostic poem for motorcycle** - Jun 25 2022

web may 29 2023 acrostic poem for motorcycle 2 10 downloaded from uniport edu ng on may 29 2023 by guest practices component 3 study of a world faith judaism 9

bike poems examples of poems about bike poetrysoup com - Feb 19 2022

web as this acrostic poem for motorcycle it ends in the works mammal one of the favored ebook acrostic poem for motorcycle collections that we have this is why you remain

motorbike acrostic poem template teacher made twinkl - Jul 07 2023

web this lovely motorbike acrostic poem template is a fantastic way to introduce children to poetry encourage them to get creative in writing their own acrostic poem the

[motorbikes poems modern award winning motorbikes poetry](#) - May 05 2023

web poems about motorbikes at the world s largest poetry site ranked poetry on motorbikes by famous modern poets learn how to write a poem about motorbikes and share it

**acrostic poem for motorcycle pqr uiaf gov co** - Sep 28 2022

web bicycle acrostic poem each child comes up with a poem rhyming or not which is 7 lines long each line starting with the designated letter the theme of the poem is cycling

**the herb 2018 calendar wall publishing google books** - Feb 14 2023

this unique calendar is a virtual kitchen herb garden that you hang on your wall this gorgeous full color wall calendar features twelve months of lush fragrant herbs that will make you

**herb gardens 2018 wall calendar recipes herbal folklore** - Nov 11 2022

herb gardens 2018 wall calendar recipes herbal folklore maggie oster amber lotus publishing amazon com au books

*herb garden 2018 calendar includes downloadable wa* - Jun 18 2023

jun 25 2023 could speedily download this herb garden 2018 calendar includes downloadable wa after getting deal so following you require the book swiftly you can

**emidproxy vaccination gov ng** - Apr 04 2022

emidproxy vaccination gov ng

**herb gardens 2018 wall calendar recipes herbal folklore** - Mar 15 2023

jul 21 2017 the herb gardens wall calendar features beautiful photos of creative herb gardens paired with sumptuous recipes and a wealth of herbal folklore remedies and

**herb garden 2018 calendar includes downloadable wallpaper** - Apr 16 2023

herb garden 2018 calendar includes downloadable wallpaper shasky jane amazon in office products

*herbgarden2018calendarincludesdownloadablewallpaper pdf* - Feb 02 2022

herbgarden2018calendarincludesdownloadablewallpaper pdf 1 1 downloaded from funcard com tw on january 24 2023 by guest

**the herb 2018 calendar by wall publishing alibris** - Aug 08 2022

this unique calendar is a virtual kitchen herb garden that you hang on your wall this gorgeous full color wall calendar features twelve months of lush fragrant herbs that will make you want

**herb gardens calendar 2018 16 month calendar paperback** - Jan 13 2023

amazon ae herb gardens calendar 2018 16 month calendar books

[herb garden 2018 calendar includes downloadable wa pdf](#) - Sep 09 2022

getting the books herb garden 2018 calendar includes downloadable wa now is not type of challenging means you could not forlorn going once ebook increase or library or borrowing

[book details author mag yumpu](#) - Nov 30 2021

attention your epaper is waiting for publication by publishing your document the content will be optimally indexed by google via ai and sorted into the right category for over 500 million

**herb gardens calendar 2018 16 month calendar paperback** - Dec 12 2022

herb gardens calendar 2018 16 month calendar traymon paul amazon com au books

*herb garden 2018 calendar includes downloadable wa pdf free* - Jul 07 2022

online pdf file book herb garden 2018 calendar includes downloadable wa only if you are registered here download and read online herb garden 2018 calendar includes

*herb garden 2018 calendar includes downloadable wallpaper* - Aug 20 2023

buy herb garden 2018 calendar includes downloadable wallpaper wal by shasky jane isbn 9780741260093 from amazon s book store everyday low prices and free delivery on

[herb garden 2018 calendar includes downloadable wallpaper](#) - May 17 2023

herb garden 2018 calendar includes downloadable wallpaper shasky jane 9780741260093 books amazon ca

[herb garden 2018 calendar includes downloadable wa pdf](#) - Sep 21 2023

herb garden 2018 calendar includes downloadable wa pdf pages 3 20 herb garden 2018 calendar includes downloadable wa pdf upload mia w ferguson 3 20 downloaded from

*herb gardens 2018 calendar yumpu* - Jul 19 2023

read the latest magazines about herb gardens 2018 calendar and discover magazines on yumpu com

**the herb 2018 calendar uk edition google books** - Oct 30 2021

this unique calendar is a virtual kitchen herb garden that you hang on your wall this gorgeous full color wall calendar features twelve months of lush fragrant herbs that will make you want

*herb garden design different types of herb gardens* - Jun 06 2022

feb 8 2021 ornamental herb gardens are prized for their beautiful flowers and unusual foliage an ornamental herb garden might contain southernwood sage and germander the most

**herb gardens 2023 wall calendar square calendar** - May 05 2022

the pictures in this calendar make me envious that my garden doesn't look like these read more report gede 3 0 out of 5 stars overall print needs improvement reviewed in the

*if you want to download t yumpu* - Jan 01 2022

read the latest magazines about if you want to download t and discover magazines on yumpu com

4 000 free herb garden herbs images pixabay - Mar 03 2022

4 449 free images of herb garden herb garden photos for download all pictures are free to use royalty free images lavender flowers field basil herb ingredient lavender nature

*herb garden 2018 calendar includes downloadable wa pdf pdf* - Oct 10 2022

herb garden 2018 calendar includes downloadable wa pdf introduction herb garden 2018 calendar includes downloadable wa pdf pdf title herb garden 2018 calendar