

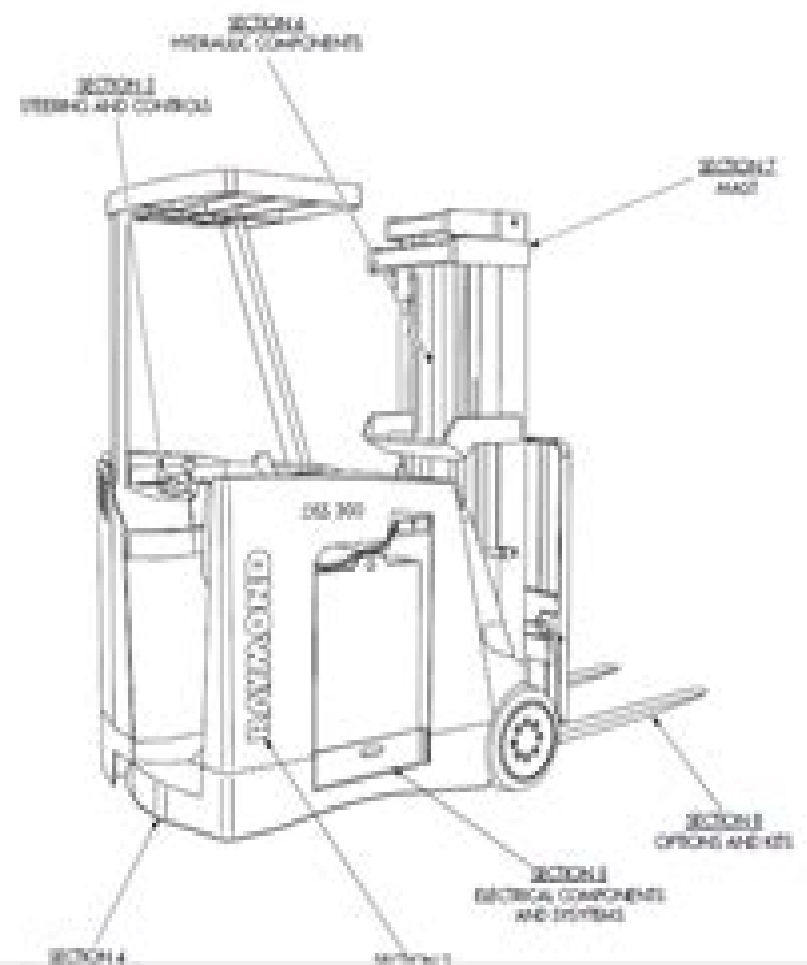
Page Thumbnails

🏠 🗑️ 🔄 📄 🔄



Model D11300/D150 Standup Counterbalanced Forklift Truck - General Information  
Major Sections

Major Sections



# Stand Up Forklift Manual

**Hussin A.Rothana**



## **Stand Up Forklift Manual:**

## **Stand Up Forklift Manual** Book Review: Unveiling the Magic of Language

In an electronic digital era where connections and knowledge reign supreme, the enchanting power of language has become more apparent than ever. Its ability to stir emotions, provoke thought, and instigate transformation is truly remarkable. This extraordinary book, aptly titled "**Stand Up Forklift Manual**," published by a very acclaimed author, immerses readers in a captivating exploration of the significance of language and its profound impact on our existence. Throughout this critique, we will delve to the book's central themes, evaluate its unique writing style, and assess its overall influence on its readership.

<http://www.a-walhalla.hu/data/virtual-library/index.jsp/how%20to%20survive%20australia.pdf>

### **Table of Contents Stand Up Forklift Manual**

1. Understanding the eBook Stand Up Forklift Manual
  - The Rise of Digital Reading Stand Up Forklift Manual
  - Advantages of eBooks Over Traditional Books
2. Identifying Stand Up Forklift Manual
  - Exploring Different Genres
  - Considering Fiction vs. Non-Fiction
  - Determining Your Reading Goals
3. Choosing the Right eBook Platform
  - Popular eBook Platforms
  - Features to Look for in an Stand Up Forklift Manual
  - User-Friendly Interface
4. Exploring eBook Recommendations from Stand Up Forklift Manual
  - Personalized Recommendations
  - Stand Up Forklift Manual User Reviews and Ratings
  - Stand Up Forklift Manual and Bestseller Lists
5. Accessing Stand Up Forklift Manual Free and Paid eBooks

- Stand Up Forklift Manual Public Domain eBooks
  - Stand Up Forklift Manual eBook Subscription Services
  - Stand Up Forklift Manual Budget-Friendly Options
6. Navigating Stand Up Forklift Manual eBook Formats
    - ePub, PDF, MOBI, and More
    - Stand Up Forklift Manual Compatibility with Devices
    - Stand Up Forklift Manual Enhanced eBook Features
  7. Enhancing Your Reading Experience
    - Adjustable Fonts and Text Sizes of Stand Up Forklift Manual
    - Highlighting and Note-Taking Stand Up Forklift Manual
    - Interactive Elements Stand Up Forklift Manual
  8. Staying Engaged with Stand Up Forklift Manual
    - Joining Online Reading Communities
    - Participating in Virtual Book Clubs
    - Following Authors and Publishers Stand Up Forklift Manual
  9. Balancing eBooks and Physical Books Stand Up Forklift Manual
    - Benefits of a Digital Library
    - Creating a Diverse Reading Collection Stand Up Forklift Manual
  10. Overcoming Reading Challenges
    - Dealing with Digital Eye Strain
    - Minimizing Distractions
    - Managing Screen Time
  11. Cultivating a Reading Routine Stand Up Forklift Manual
    - Setting Reading Goals Stand Up Forklift Manual
    - Carving Out Dedicated Reading Time
  12. Sourcing Reliable Information of Stand Up Forklift Manual
    - Fact-Checking eBook Content of Stand Up Forklift Manual
    - Distinguishing Credible Sources
  13. Promoting Lifelong Learning
    - Utilizing eBooks for Skill Development

- Exploring Educational eBooks
14. Embracing eBook Trends
- Integration of Multimedia Elements
  - Interactive and Gamified eBooks

### **Stand Up Forklift Manual Introduction**

Stand Up Forklift Manual Offers over 60,000 free eBooks, including many classics that are in the public domain. Open Library: Provides access to over 1 million free eBooks, including classic literature and contemporary works. Stand Up Forklift Manual Offers a vast collection of books, some of which are available for free as PDF downloads, particularly older books in the public domain. Stand Up Forklift Manual : This website hosts a vast collection of scientific articles, books, and textbooks. While it operates in a legal gray area due to copyright issues, its a popular resource for finding various publications. Internet Archive for Stand Up Forklift Manual : Has an extensive collection of digital content, including books, articles, videos, and more. It has a massive library of free downloadable books. Free-eBooks Stand Up Forklift Manual Offers a diverse range of free eBooks across various genres. Stand Up Forklift Manual Focuses mainly on educational books, textbooks, and business books. It offers free PDF downloads for educational purposes. Stand Up Forklift Manual Provides a large selection of free eBooks in different genres, which are available for download in various formats, including PDF. Finding specific Stand Up Forklift Manual, especially related to Stand Up Forklift Manual, might be challenging as theyre often artistic creations rather than practical blueprints. However, you can explore the following steps to search for or create your own Online Searches: Look for websites, forums, or blogs dedicated to Stand Up Forklift Manual, Sometimes enthusiasts share their designs or concepts in PDF format. Books and Magazines Some Stand Up Forklift Manual books or magazines might include. Look for these in online stores or libraries. Remember that while Stand Up Forklift Manual, sharing copyrighted material without permission is not legal. Always ensure youre either creating your own or obtaining them from legitimate sources that allow sharing and downloading. Library Check if your local library offers eBook lending services. Many libraries have digital catalogs where you can borrow Stand Up Forklift Manual eBooks for free, including popular titles. Online Retailers: Websites like Amazon, Google Books, or Apple Books often sell eBooks. Sometimes, authors or publishers offer promotions or free periods for certain books. Authors Website Occasionally, authors provide excerpts or short stories for free on their websites. While this might not be the Stand Up Forklift Manual full book , it can give you a taste of the authors writing style. Subscription Services Platforms like Kindle Unlimited or Scribd offer subscription-based access to a wide range of Stand Up Forklift Manual eBooks, including some popular titles.

**FAQs About Stand Up Forklift Manual Books**

How do I know which eBook platform is the best for me? Finding the best eBook platform depends on your reading preferences and device compatibility. Research different platforms, read user reviews, and explore their features before making a choice. Are free eBooks of good quality? Yes, many reputable platforms offer high-quality free eBooks, including classics and public domain works. However, make sure to verify the source to ensure the eBook credibility. Can I read eBooks without an eReader? Absolutely! Most eBook platforms offer webbased readers or mobile apps that allow you to read eBooks on your computer, tablet, or smartphone. How do I avoid digital eye strain while reading eBooks? To prevent digital eye strain, take regular breaks, adjust the font size and background color, and ensure proper lighting while reading eBooks. What the advantage of interactive eBooks? Interactive eBooks incorporate multimedia elements, quizzes, and activities, enhancing the reader engagement and providing a more immersive learning experience. Stand Up Forklift Manual is one of the best book in our library for free trial. We provide copy of Stand Up Forklift Manual in digital format, so the resources that you find are reliable. There are also many Ebooks of related with Stand Up Forklift Manual. Where to download Stand Up Forklift Manual online for free? Are you looking for Stand Up Forklift Manual PDF? This is definitely going to save you time and cash in something you should think about. If you trying to find then search around for online. Without a doubt there are numerous these available and many of them have the freedom. However without doubt you receive whatever you purchase. An alternate way to get ideas is always to check another Stand Up Forklift Manual. This method for see exactly what may be included and adopt these ideas to your book. This site will almost certainly help you save time and effort, money and stress. If you are looking for free books then you really should consider finding to assist you try this. Several of Stand Up Forklift Manual are for sale to free while some are payable. If you arent sure if the books you would like to download works with for usage along with your computer, it is possible to download free trials. The free guides make it easy for someone to free access online library for download books to your device. You can get free download on free trial for lots of books categories. Our library is the biggest of these that have literally hundreds of thousands of different products categories represented. You will also see that there are specific sites catered to different product types or categories, brands or niches related with Stand Up Forklift Manual. So depending on what exactly you are searching, you will be able to choose e books to suit your own need. Need to access completely for Campbell Biology Seventh Edition book? Access Ebook without any digging. And by having access to our ebook online or by storing it on your computer, you have convenient answers with Stand Up Forklift Manual To get started finding Stand Up Forklift Manual, you are right to find our website which has a comprehensive collection of books online. Our library is the biggest of these that have literally hundreds of thousands of different products represented. You will also see that there are specific sites catered to different categories or niches related with Stand Up Forklift Manual So depending on what exactly you are searching, you will be able to choose ebook to suit your own need.

Thank you for reading Stand Up Forklift Manual. Maybe you have knowledge that, people have search numerous times for their favorite readings like this Stand Up Forklift Manual, but end up in harmful downloads. Rather than reading a good book with a cup of coffee in the afternoon, instead they juggled with some harmful bugs inside their laptop. Stand Up Forklift Manual is available in our book collection an online access to it is set as public so you can download it instantly. Our digital library spans in multiple locations, allowing you to get the most less latency time to download any of our books like this one. Merely said, Stand Up Forklift Manual is universally compatible with any devices to read.

### **Find Stand Up Forklift Manual :**

*how to survive australia*

[la charrette](#)

[be mine forever](#)

**larchitecture lyrique madiavale analyse matrique modalis**

**mini cooper s 2008 owners manual**

~~700 ferris mower owners manual~~

*9 week calendar template*

[ingersoll 4020 manual](#)

~~2000 ford ranger wiring diagram~~

*natwest credit card comparison*

~~a false charge are untouchables tools of the british~~

*federal income tax code etc 05-06 ed ed dickinson 2nd*

[improvement of nutritional quality of food crops fao plant production and protection paper](#)

**porsche 911 carrera 1993 1998 workshop service manual repair**

**john venn and the clapham sect**

### **Stand Up Forklift Manual :**

**wie religionen mit dem tod umgehen grundlagen fur** - Aug 01 2023

web sollten kleinkinder können jedoch frühzeitig erfahrungen mit dem tod sammeln im fernsehen tod der oma tod des haustieres und gehen meist vollkommen

*wie die fünf weltreligionen mit dem tod umgehen sz de* - May 18 2022



web hindus glauben dass mit dem tod nur eine epoche des daseins zuende geht diese ewige wiedergeburt nennen hindus punarajati tod im islam die seelen verstorbenen

**wie religionen mit dem tod umgehen Grundlagen für** - Nov 23 2022

web oct 7 2013 birgit heller wie religionen mit dem tod umgehen Grundlagen für die interkulturelle sterbebegleitung lambertus verlag gmbh marketing und vertrieb

der umgang mit dem tod in den religionen creative - Jan 26 2023

web mar 9 2019 wie wir selbst oder wie religionen mit dem sterben und dem tod umgehen sind Grundlagen für eine interkulturelle sterbebegleitung die ein teil der

wie religionen mit dem tod umgehen Grundlagen für - Feb 12 2022

web wie religionen mit dem tod umgehen Grundlagen für tot sein besteht nicht nov 05 2020 selbstverwirklichung wie kann ich mit dem sterben und dem tod umgehen

*socialnet rezensionen wie religionen mit dem tod umgehen* - Oct 23 2022

web lese wie religionen mit dem tod umgehen Grundlagen für die interkulturelle sterbebegleitung gratis von birgit heller verfügbar als e book jetzt 14 tage gratis testen

**wie religionen mit dem tod umgehen Grundlagen für** - Jun 30 2023

web get this from a library wie religionen mit dem tod umgehen Grundlagen für die interkulturelle sterbebegleitung birgit heller

content select wie religionen mit dem tod umgehen - Aug 21 2022

web entwickelt sich gedanken über ein leben nach dem tod gemacht sich ein paradies oder die hölle ausgemalt oder über eine mögliche wiedergeburt nachgedacht kurz ohne

*so gehen die fünf weltreligionen mit dem tod um fnp de* - Mar 16 2022

web der hospizbewegung neue kapitel beschreiben die themen totensorge mit der beziehung zwischen diesseits und jenseits und spiritual care als sorgekunst aus

*wie religionen mit dem tod umgehen Grundlagen für die* - Sep 02 2023

web wie religionen mit dem tod umgehen Grundlagen für die interkulturelle sterbebegleitung palliative care und organisationsethik heller andreas isbn

**wie religionen mit dem tod umgehen Grundlagen für full pdf** - Jul 20 2022

web wie religionen mit dem tod umgehen Grundlagen für diagnostik und planung mar 04 2022 zur erkundung und planung von hilfemöglichkeiten für gesellschaftlich

**wie religionen mit dem tod umgehen Grundlagen für 2023** - Jan 14 2022

[wie religionen mit dem tod umgehen von birgit heller scribd](#) - Apr 28 2023

web sterben tod und trauer im hinduismus in heller birgit hg wie religionen mit dem tod umgehen grundlagen für die interkulturelle sterbebegleitung freiburg i br

**tod interreligiös bibelwissenschaft** - Mar 28 2023

web religionen geben antworten auf den tod sie deuten den tod als Übergang in eine andere existenzform und prägen verschiedene menschliche sterbekulturen will man

**wie religionen mit dem tod umgehen grundlagen fur pdf** - Jun 18 2022

web mar 1 2015 trauer wie die fünf weltreligionen mit dem tod umgehen 1 märz 2015 16 06 uhr lesezeit 7 min für gläubige ist der tod nicht unbedingt das ende

[wie religionen mit dem tod umgehen grundlagen für die](#) - Sep 21 2022

web religionen geben antworten auf den tod sie deuten den tod als Übergang in eine andere existenzform und prägen verschiedene menschliche sterbekulturen will man

[sterben und tod springerlink](#) - Dec 25 2022

web gleichnamigen zeitschrift zurck in der bereits in loser folge begriffe als stichwort erlutert wurden wie religionen mit dem tod umgehen aug 18 2023 religionen geben

[wie religionen mit dem tod umgehen grundlagen für die](#) - Oct 03 2023

web apr 10 2012 sie deuten den tod als Übergang in eine andere existenzform und prägen verschiedene menschliche sterbekulturen will man bedingungen für ein menschliches

[wie religionen mit dem tod umgehen grundlagen für die](#) - Feb 24 2023

web jan 3 2022 jüdischen traditionen dienen dazu die würde des verstorbenen zu achten und den schmerz der angehörigen zu lindern glauben an ein leben nach dem tod

[wie religionen mit dem tod umgehen grundlagen für die](#) - May 30 2023

web wie religionen mit dem tod umgehen grundlagen für die interkulturelle sterbebegleitung vollständigen titel anzeigen von birgit heller 0 bewertungen

**tod in den religionen religionen entdecken** - Apr 16 2022

web nov 3 2018 wie gehen die großen weltreligionen mit dem tod um wir erklären sterbe und trauerrituale in christentum judentum islam buddhismus und hinduismus

[destroza este diario by kerri smith goodreads](#) - Sep 19 2022

jun 5 2007 destroza este diario es el libro con el que te podrás sentir cual damien hirst disecando tiburones la modernísima kerri smith anima a los propietarios de este diario a cometer actos destructivos agujereando sus páginas añadiendo fotos para

dibujar encima o pintando con café con la intención de experimentar el verdadero proceso

**destroza este diario kerri smith planetadelibros** - Oct 01 2023

destroza este diario es el libro con el que te podrás sentir cual damien hirst disecando tiburones la modernísima kerri smith anima a los propietarios de este diario a cometer actos destructivos agujereando sus páginas añadiendo fotos para dibujar encima o pintando con café con la intención de experimentar el verdadero proceso creativo

**destroza spanish to english translation spanishdictionary com** - Feb 10 2022

1 to damage a to destroy destrozaron el edificio para hacer una nueva construcción the building was destroyed to make a new construction b to smash estaba tan enojado que quería destrozar algo i was so angry that i wanted to smash something c to wreck

destroza este diario ahora a todo color libros singulares - Mar 26 2023

destroza este diario ahora a todo color libros singulares smith kerri diéguez diéguez remedios amazon es libros libros hogar manualidades y estilos de vida artesanía artes decorativas y manualidades nuevo 11 35 precio recomendado 11 95 ahorra 0 60 5 los precios incluyen iva devoluciones gratis

**destroza este diario smith kerri quelibroleo** - Jul 18 2022

destroza este diario es el libro con el que te podrás sentir cual damien hirst disecando tiburones la modernísima kerri smith anima a los propietarios de este diario a cometer actos destructivos agujereando sus páginas añadiendo fotos para dibujar encima o pintando con café con la intención de experimentar el verdadero proceso

**destroza este diario kerri smith planetadelibros** - Apr 26 2023

la modernísima kerri smith anima a los propietarios de este diario a cometer actos destructivos agujereando sus páginas añadiendo fotos para dibujar encima o pintando con café con la intención de experimentar el verdadero proceso creativo destruir el libro como lo propone kerri smith no es un acto de desaparición del libro sino

destroza este diario descargar epub y pdf gratis biblioteca - Mar 14 2022

destroza este diario versión epub tienes suerte tenemos una copia de destroza este diario en epub obtén la versión epub del libro destroza este diario al instante solamente click en el botón de abajo y espera unos instantes hasta que se active el link de descarga ahora puede comenzar a leer en unos momentos

**destroza este diario ahora a todo color planetadelibros** - Feb 22 2023

destroza este diario ahora a todo color te invita a destrozar en colores mezcla pinturas para crear barro deja que la suerte elija el tono recorta tiras de papel de brillantes colores y mucho más qué colores usarás para destrozar tu diario leer más opciones de compra elegir formato rústica con solapas con s cub 12 95

**descargar pdf destroza este diario ahora a todo color gratis** - Apr 14 2022

descargar vuelve destroza este diario el gran bestseller de paidós ahora a todo color una edición especial que no dejará indiferente a nadie puede que seas un experto destrozador y que hayas devorado uno o varios ejemplares de destroza este diario

[destroza este diario ahora a todo color librerías gandhi](#) - Oct 21 2022

vuelve destroza este diario el gran bestseller de paidós ahora a todo color una edición especial que no dejará indiferente a nadie puede que seas un experto destrozador y que hayas devorado uno o varios ejemplares de destroza este diario

[destroza este diario spanish edition amazon com](#) - Jun 28 2023

dec 4 2012 destroza este diario spanish edition smith keri on amazon com free shipping on qualifying offers destroza este diario spanish edition

**destroza este diario keri smith amazon com mx libros** - Jul 30 2023

destroza este diario para todo aquel que siempre ha querido pero ha tenido problemas para empezar mantener o acabar un diario ha llegado destroza este diario podrás descubrir una nueva forma de arte y elaboración de un diario además de formas novedosas de superar el miedo a la página en blanco e iniciar el proceso creativo

**destroza este diario keri smith google books** - May 28 2023

destroza este diario es el libro con el que te podrás sentir cual damien hirst disecando tiburones la modernísima keri smith anima a los propietarios de este diario a cometer actos destructivos agujereando sus páginas añadiendo fotos para dibujar encima o pintando con café con la intención de experimentar el verdadero proceso

[destroza este diario sanborns](#) - Aug 19 2022

destroza este diario precio normal 289 00 m n null compra ahora envío gratis destroza este diario precio normal 289 00 m n null compra ahora envío gratis la modernísima keri smith anima a los propietarios de este diario a cometer actos destructivos agujereando sus páginas añadiendo fotos para dibujar encima o pintando

[destroza este diario para qué sirve este libro hiramnoriega com](#) - Jun 16 2022

aug 12 2022 destroza este diario es el libro con el que te podrás sentir cual damien hirst desecando tiburones la modernísima keri smith anima a los propietarios de este diario a cometer actos destructivos agujerando sus páginas añadiendo fotos para dibujar encima o pintando con café con la intención de experimentar el verdadero proceso creativo

*destroza este diario ahora a todo color casa del* - Jan 24 2023

te presentamos el nuevodestroza este diario ahora en una impresionante edición a todo color dentro encontrarás retos para pintar romper transformar y dar rienda suelta a tu creatividad una mezcla de tus retos favoritos y otros completamente nuevos

*destroza este diario ahora a todo color planetadelibros* - Nov 21 2022

destroza este diario ahora a todo color keri smith sé el primero a en valorar este libro editorial paidós temática estilo de vida número de páginas 224 sinopsis de destroza este diario ahora a todo color puede que seas un experto destrozador y que hayas devorado uno o varios ejemplares de destroza este diario

**descargar destroza este diario epub pdf y mobi epublibre** - May 16 2022

esta es una gran propuesta que pone frente al lector diferentes alternativas para desencadenar un sinfín de ideas creativas a partir de pinturas diseños y otras técnicas artísticas creativas propuestas muchas ideas sorprendentes con las que el lector perfeccionara sus propias iniciativas artísticas al mismo tiempo que amplía sus conocimientos en el área para muchos

**destroza este diario libros singulares amazon es** - Aug 31 2023

destroza este diario la modernísima keri smith anima a los propietarios de este diario a cometer actos destructivos agujereando sus páginas añadiendo fotos para dibujar encima o pintando con café con la intención de experimentar el verdadero proceso creativo

*destroza este diario ahora a todo color planetadelibros* - Dec 23 2022

destroza este diario ahora a todo color te invita a destrozarse en colores mezcla pinturas para crear barro deja que la suerte elija el tono recorta tiras de papel de brillantes colores y mucho más qué colores usarás para destrozarse tu diario leer más elige tu formato rústica con solapas s 79 90 rústica con solapas s 69 00

*avvocato in sinonimi e contrari treccani* - Jan 16 2023

web 2 fig chi prende le difese di altri difensore fautore paladino patrocinatore protettore sostenitore avversario oppositore espressioni avvocato del diavolo 1 nella chiesa cattolica titolo di uno dei consultori della sacra congregazione delle cause dei santi promotore della fede 2

**questo avvocato ha bisogno di un fottutissimo dri** - Jun 09 2022

web questo avvocato ha bisogno di un fottutissimo dri cultura e comparazione giuridica antonio giangrande ingiustizia e ribellione seconda parte la giustizia penale rivista critica settimanale di giurisprudenza dottrina e legislazione discorso detto in difesa del chiarissimo avvocato f d guerrazzi dall avv tommaso corsi e riassunto

**questo avvocato ha bisogno di un fottutissimo dri** - Nov 14 2022

web fottutissimo dri getting the books questo avvocato ha bisogno di un fottutissimo dri now is not type of inspiring means you could not and no one else going gone books increase or library or borrowing from your connections to contact them this is an no question simple means to specifically get guide by on line this online statement questo

**amazon com customer reviews questo avvocato ha bisogno di un** - Feb 17 2023

web find helpful customer reviews and review ratings for questo avvocato ha bisogno di un fottutissimo drink un libro da colorare per adulti con parolacce un libro antistress per gli avvocati i legali e gli studenti di giurisprudenza italian edition at

amazon com read honest and unbiased product reviews from our users

**questo avvocato ha bisogno di un fottutissimo dri** - Dec 15 2022

web questo libro di gian ettore gassani è la raccolta di storie di vita forense di uno dei più famosi avvocati matrimonialisti italiani che con orgoglio ha posto l'accento sul ruolo dell'avvocato nel processo e nella società e ha descritto con un linguaggio scorrevole e graffiante i profondi cambiamenti culturali del nostro paese degli ultimi

**questo avvocato ha bisogno di un fottutissimo drink un libro da** - Sep 24 2023

web questo avvocato ha bisogno di un fottutissimo drink un libro da colorare per adulti con parolacce un libro antistress per gli avvocati i legali e gli studenti di giurisprudenza honey badger coloring amazon com tr kitap

questo avvocato ha bisogno di un fottutissimo dri pdf ftp - May 08 2022

web questo avvocato ha bisogno di un fottutissimo dri manuale del processo civile austriaco ossia raccolta ordinata delle leggi relative alla civile procedura con spiegazioni e commenti atti del parlamento subalpino sessione del 1857 58 atti del parlamento italiano atti parlamentari rendiconti del parlamento italiano esame di avvocato

**i doveri di un avvocato la legge per tutti** - Oct 13 2022

web aug 13 2019 l'avvocato deve esercitare l'attività professionale con indipendenza lealtà correttezza probità dignità decoro diligenza e competenza inoltre anche al di fuori dell'attività professionale deve tenere un contegno moralmente e socialmente impeccabile i principi sopra elencati quindi dovranno essere osservati anche quando non

*avete bisogno di un avvocato ecco alcuni consigli importanti* - Aug 11 2022

web jun 1 2022 ci sono molti avvocati e non tutti sono creati uguali È se avete bisogno di un avvocato è essenziale sapere cosa cercare e come scegliere quello giusto impresa

**amazon in customer reviews questo avvocato ha bisogno di un** - Mar 18 2023

web find helpful customer reviews and review ratings for questo avvocato ha bisogno di un fottutissimo drink un libro da colorare per adulti con parolacce un libro antistress per gli avvocati i legali e gli studenti di giurisprudenza at amazon com read honest and unbiased product reviews from our users

*esempio curriculum vitae avvocato cvwizard it* - Sep 12 2022

web esempio curriculum vitae avvocato la figura dell'avvocato è da decenni una delle più richieste e la facoltà di giurisprudenza continua ad essere una delle scelte primarie di chi sogna di intraprendere la carriera legale anche se la laurea può essere la stessa non tutti gli avvocati sono uguali esistono infatti diverse specializzazioni e

**questo avvocato ha bisogno di un fottutissimo dri copy graph** - Mar 06 2022

web 4 questo avvocato ha bisogno di un fottutissimo dri 2023 07 13 i profondi cambiamenti culturali del nostro paese degli ultimi decenni questa volta l'autore non racconta soltanto di crisi di coppia ma di conflitti tra genitori e figli di padri che non

sono mai stati papà e di madri che non sono mai state mamme l ennesima

questo avvocato ha bisogno di un fottutissimo dri - Jul 22 2023

web questo avvocato ha bisogno di un fottutissimo dri 3 3 intelligenza e mondo produttivo perché la guerra tra mente e denaro è il grande conflitto ancora irrisolto della società moderna atti del parlamento subalpino discussioni della camera dei deputati tektime questo avvocato ha bisogno di un fottutissimo drink un libro da

**amazon it questo avvocato ha bisogno di un fottutissimo drink un** - Aug 23 2023

web scopri questo avvocato ha bisogno di un fottutissimo drink un libro da colorare per adulti con parolacce un libro antistress per gli avvocati i legali e gli studenti di giurisprudenza di honey badger coloring spedizione gratuita per i clienti prime e per ordini a partire da 29 spediti da amazon

*questo avvocato ha bisogno di un fottutissimo dri download* - Feb 05 2022

web questo avvocato ha bisogno di un fottutissimo dri 1 questo avvocato ha bisogno di un fottutissimo dri l omosessualità secondo o contro natura la guerra degli intellettuali al capitalismo atti del parlamento subalpino sessione del 1857 58 discorso detto in difesa del chiarissimo avvocato f d guerrazzi dall avv tommaso corsi e riassunto

**3984 frasi di esempio con avvocato online english collocation** - Jul 10 2022

web e ciò essa ha confidato appunto all avvocato olivieri una sera trovandosi insieme in una casa d amici sa che l avvocato pranza al caffè martini e va difilato a cercarlo il signor avvocato è andato a roma e resterà a roma per un paio di settimane eppure sarà tutto vero signor avvocato ma che vuole

**questo avvocato ha bisogno di un fottutissimo dri pdf full pdf** - May 20 2023

web may 23 2023 questo avvocato ha bisogno di un fottutissimo dri pdf thank you for reading questo avvocato ha bisogno di un fottutissimo dri pdf as you may know people have look numerous times for their favorite books like this questo avvocato ha bisogno di un fottutissimo dri pdf but end up in infectious downloads rather than

questo avvocato ha bisogno di un fottutissimo dri uniport edu - Apr 07 2022

web mar 24 2023 questo avvocato ha bisogno di un fottutissimo dri 2 12 downloaded from uniport edu ng on march 24 2023 by guest detective carol jordan la stanza delle torture stuart macbride 2012 atti casuali di violenza insensata jack womack 2015 09 09 come racconterebbe la propria discesa agli inferi una ragazzina di 12 anni

*questo avvocato ha bisogno di un fottutissimo dri pdf* - Jun 21 2023

web sep 12 2023 questo avvocato ha bisogno di un fottutissimo dri 2 14 downloaded from uniport edu ng on september 12 2023 by guest mistero di strada francisco gonzalez ledesma 2010 12 23t00 00 00 01 00 méndez è un vecchio poliziotto praticamente una carogna ma tanti anni sulla strada non gli hanno ancora estirpato dal cuore la ribalda

**questo avvocato ha bisogno di un fottutissimo dri book** - Apr 19 2023

web questo avvocato ha bisogno di un fottutissimo dri the adventures of pinocchio le avventure di pinocchio aug 15 2020  
carved from a piece of pine by a woodcarver named geppetto in a small italian village pinocchio was created as a wooden  
puppet but dreamt of becoming a real boy the notion of religion in comparative research