

3. Remove the stabilizer shaft links. Refer to Stabilizer Shaft Link Replacement.
4. Remove the left and right stabilizer shaft insulators and brackets. Refer to Stabilizer Shaft Insulator Replacement.

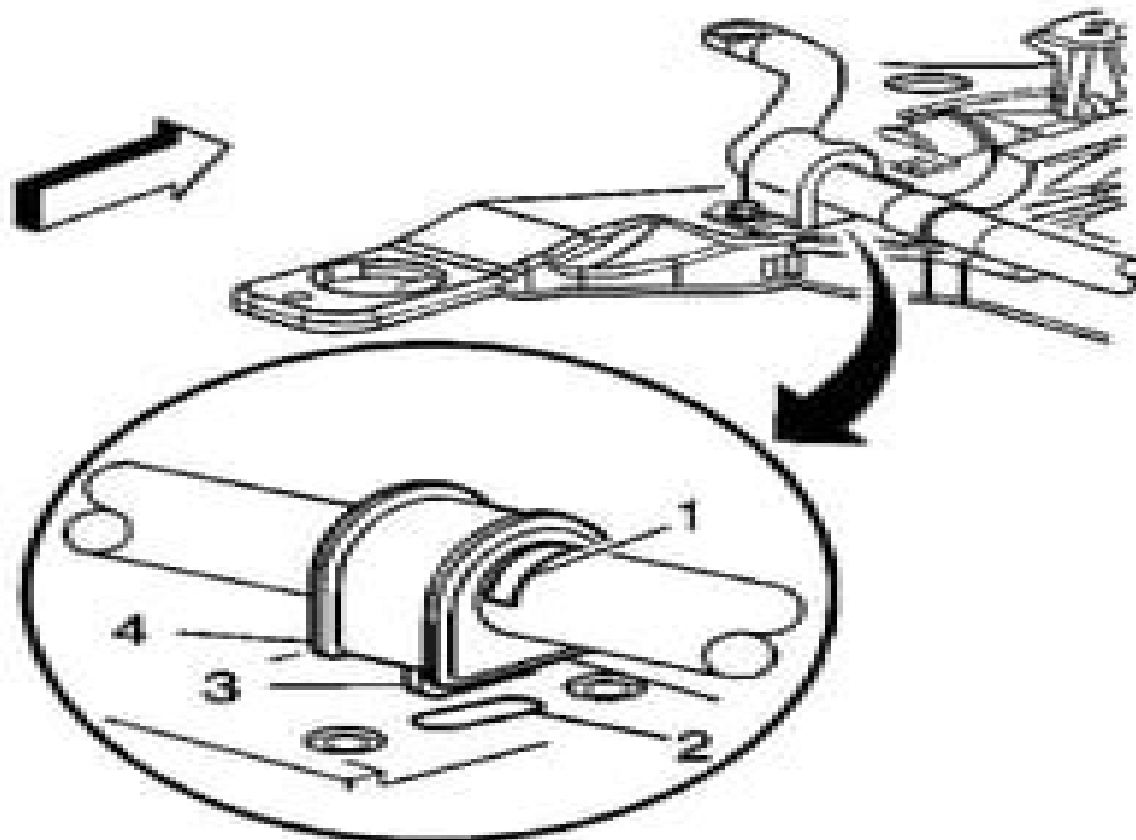


Fig. 1: View Of Left And Right Stabilizer Shaft Insulators And Brackets
Courtesy of GENERAL MOTORS CORP.

Buick Rendezvous 2003 Latch Manual

D Keegan



Buick Rendezvous 2003 Latch Manual:

Immerse yourself in heartwarming tales of love and emotion with Explore Love with its touching creation, Experience Love's Journey in **Buick Rendezvous 2003 Latch Manual** . This emotionally charged ebook, available for download in a PDF format (*), is a celebration of love in all its forms. Download now and let the warmth of these stories envelop your heart.

http://www.a-walhalla.hu/book/Resources/fetch.php/lg_500g_tracfone_manual.pdf

Table of Contents Buick Rendezvous 2003 Latch Manual

1. Understanding the eBook Buick Rendezvous 2003 Latch Manual
 - The Rise of Digital Reading Buick Rendezvous 2003 Latch Manual
 - Advantages of eBooks Over Traditional Books
2. Identifying Buick Rendezvous 2003 Latch Manual
 - Exploring Different Genres
 - Considering Fiction vs. Non-Fiction
 - Determining Your Reading Goals
3. Choosing the Right eBook Platform
 - Popular eBook Platforms
 - Features to Look for in an Buick Rendezvous 2003 Latch Manual
 - User-Friendly Interface
4. Exploring eBook Recommendations from Buick Rendezvous 2003 Latch Manual
 - Personalized Recommendations
 - Buick Rendezvous 2003 Latch Manual User Reviews and Ratings
 - Buick Rendezvous 2003 Latch Manual and Bestseller Lists
5. Accessing Buick Rendezvous 2003 Latch Manual Free and Paid eBooks
 - Buick Rendezvous 2003 Latch Manual Public Domain eBooks
 - Buick Rendezvous 2003 Latch Manual eBook Subscription Services
 - Buick Rendezvous 2003 Latch Manual Budget-Friendly Options
6. Navigating Buick Rendezvous 2003 Latch Manual eBook Formats

- ePub, PDF, MOBI, and More
 - Buick Rendezvous 2003 Latch Manual Compatibility with Devices
 - Buick Rendezvous 2003 Latch Manual Enhanced eBook Features
7. Enhancing Your Reading Experience
 - Adjustable Fonts and Text Sizes of Buick Rendezvous 2003 Latch Manual
 - Highlighting and Note-Taking Buick Rendezvous 2003 Latch Manual
 - Interactive Elements Buick Rendezvous 2003 Latch Manual
 8. Staying Engaged with Buick Rendezvous 2003 Latch Manual
 - Joining Online Reading Communities
 - Participating in Virtual Book Clubs
 - Following Authors and Publishers Buick Rendezvous 2003 Latch Manual
 9. Balancing eBooks and Physical Books Buick Rendezvous 2003 Latch Manual
 - Benefits of a Digital Library
 - Creating a Diverse Reading Collection Buick Rendezvous 2003 Latch Manual
 10. Overcoming Reading Challenges
 - Dealing with Digital Eye Strain
 - Minimizing Distractions
 - Managing Screen Time
 11. Cultivating a Reading Routine Buick Rendezvous 2003 Latch Manual
 - Setting Reading Goals Buick Rendezvous 2003 Latch Manual
 - Carving Out Dedicated Reading Time
 12. Sourcing Reliable Information of Buick Rendezvous 2003 Latch Manual
 - Fact-Checking eBook Content of Buick Rendezvous 2003 Latch Manual
 - Distinguishing Credible Sources
 13. Promoting Lifelong Learning
 - Utilizing eBooks for Skill Development
 - Exploring Educational eBooks
 14. Embracing eBook Trends
 - Integration of Multimedia Elements
 - Interactive and Gamified eBooks

Buick Rendezvous 2003 Latch Manual Introduction

Buick Rendezvous 2003 Latch Manual Offers over 60,000 free eBooks, including many classics that are in the public domain. Open Library: Provides access to over 1 million free eBooks, including classic literature and contemporary works. Buick Rendezvous 2003 Latch Manual Offers a vast collection of books, some of which are available for free as PDF downloads, particularly older books in the public domain. Buick Rendezvous 2003 Latch Manual : This website hosts a vast collection of scientific articles, books, and textbooks. While it operates in a legal gray area due to copyright issues, its a popular resource for finding various publications. Internet Archive for Buick Rendezvous 2003 Latch Manual : Has an extensive collection of digital content, including books, articles, videos, and more. It has a massive library of free downloadable books. Free-eBooks Buick Rendezvous 2003 Latch Manual Offers a diverse range of free eBooks across various genres. Buick Rendezvous 2003 Latch Manual Focuses mainly on educational books, textbooks, and business books. It offers free PDF downloads for educational purposes. Buick Rendezvous 2003 Latch Manual Provides a large selection of free eBooks in different genres, which are available for download in various formats, including PDF. Finding specific Buick Rendezvous 2003 Latch Manual, especially related to Buick Rendezvous 2003 Latch Manual, might be challenging as theyre often artistic creations rather than practical blueprints. However, you can explore the following steps to search for or create your own Online Searches: Look for websites, forums, or blogs dedicated to Buick Rendezvous 2003 Latch Manual, Sometimes enthusiasts share their designs or concepts in PDF format. Books and Magazines Some Buick Rendezvous 2003 Latch Manual books or magazines might include. Look for these in online stores or libraries. Remember that while Buick Rendezvous 2003 Latch Manual, sharing copyrighted material without permission is not legal. Always ensure youre either creating your own or obtaining them from legitimate sources that allow sharing and downloading. Library Check if your local library offers eBook lending services. Many libraries have digital catalogs where you can borrow Buick Rendezvous 2003 Latch Manual eBooks for free, including popular titles. Online Retailers: Websites like Amazon, Google Books, or Apple Books often sell eBooks. Sometimes, authors or publishers offer promotions or free periods for certain books. Authors Website Occasionally, authors provide excerpts or short stories for free on their websites. While this might not be the Buick Rendezvous 2003 Latch Manual full book , it can give you a taste of the authors writing style. Subscription Services Platforms like Kindle Unlimited or Scribd offer subscription-based access to a wide range of Buick Rendezvous 2003 Latch Manual eBooks, including some popular titles.

FAQs About Buick Rendezvous 2003 Latch Manual Books

1. Where can I buy Buick Rendezvous 2003 Latch Manual books? Bookstores: Physical bookstores like Barnes & Noble,

- Waterstones, and independent local stores. Online Retailers: Amazon, Book Depository, and various online bookstores offer a wide range of books in physical and digital formats.
2. What are the different book formats available? Hardcover: Sturdy and durable, usually more expensive. Paperback: Cheaper, lighter, and more portable than hardcovers. E-books: Digital books available for e-readers like Kindle or software like Apple Books, Kindle, and Google Play Books.
 3. How do I choose a Buick Rendezvous 2003 Latch Manual book to read? Genres: Consider the genre you enjoy (fiction, non-fiction, mystery, sci-fi, etc.). Recommendations: Ask friends, join book clubs, or explore online reviews and recommendations. Author: If you like a particular author, you might enjoy more of their work.
 4. How do I take care of Buick Rendezvous 2003 Latch Manual books? Storage: Keep them away from direct sunlight and in a dry environment. Handling: Avoid folding pages, use bookmarks, and handle them with clean hands. Cleaning: Gently dust the covers and pages occasionally.
 5. Can I borrow books without buying them? Public Libraries: Local libraries offer a wide range of books for borrowing. Book Swaps: Community book exchanges or online platforms where people exchange books.
 6. How can I track my reading progress or manage my book collection? Book Tracking Apps: Goodreads, LibraryThing, and Book Catalogue are popular apps for tracking your reading progress and managing book collections. Spreadsheets: You can create your own spreadsheet to track books read, ratings, and other details.
 7. What are Buick Rendezvous 2003 Latch Manual audiobooks, and where can I find them? Audiobooks: Audio recordings of books, perfect for listening while commuting or multitasking. Platforms: Audible, LibriVox, and Google Play Books offer a wide selection of audiobooks.
 8. How do I support authors or the book industry? Buy Books: Purchase books from authors or independent bookstores. Reviews: Leave reviews on platforms like Goodreads or Amazon. Promotion: Share your favorite books on social media or recommend them to friends.
 9. Are there book clubs or reading communities I can join? Local Clubs: Check for local book clubs in libraries or community centers. Online Communities: Platforms like Goodreads have virtual book clubs and discussion groups.
 10. Can I read Buick Rendezvous 2003 Latch Manual books for free? Public Domain Books: Many classic books are available for free as they're in the public domain. Free E-books: Some websites offer free e-books legally, like Project Gutenberg or Open Library.

Find Buick Rendezvous 2003 Latch Manual :

[lg 500g tracfone manual](#)

a fair prospect disappointed hopes english edition

[boeing 777 structural repair manual](#)

1997 ford crown victoria owners manual

[50 decadent soup recipes](#)

[takeuchi tb10s compact excavator body parts manual](#)

peugeot 405 wiring diagram problem

panasonic dmp bd75 owners manual

[accounting pr 15 4a answers](#)

[ohio school bus preservice manual](#)

[2003 dodge cummins repair manual](#)

[in search of ancient astronomies](#)

[xtreme paper accounting november 2011 paper 2](#)

~~larehe en toe~~

[ingersoll 6018 owners manual](#)

Buick Rendezvous 2003 Latch Manual :

when to visit the accident and emergency healthxchange - Apr 07 2023

web when to visit the accident and emergency medicine first aid first aid when to visit the accident and emergency do you know when to head to the accident and emergency department

[event safety planning for incidents and emergencies hse](#) - Feb 22 2022

web emergency procedures have clear emergency roles and responsibilities evacuation show stop after the incident testing and validation you must have plans in place to respond effectively

first aid instructions for 10 medical emergencies verywell health - Dec 03 2022

web jun 23 2023 keeping their head angled down lower than their body hold the back of their head with your hand to steady it place two or three of your fingers in the center of the baby s chest just below the nipples give five quick thrusts downward so the breastbone gets pushed in about 1 5 inches

emergency preparedness response procedure safe work - Apr 26 2022

web personal injury incident fire emergency response requirements assess the hazards at the scene upon discovering an incident take the time to assess the situation to make the area safe and to prevent further injury to those take appropriate precautions according to the type of damage and the cause of the incident examples are

emergency procedures hse - Aug 31 2022

web emergency procedures workplaces need a plan for emergencies that can have a wider impact special procedures are needed for emergencies such as serious injuries explosion flood

emergency procedure wikipedia - Jan 04 2023

web an emergency procedure is a plan of actions to be conducted in a certain order or manner in response to a specific class of reasonably foreseeable emergency a situation that poses an immediate risk to health life property or the environment 1

general guidelines for emergency response plan - Jun 09 2023

web emergency includes incidents such as fire non fire mass casualties discovered during and after office hours eg during office hour any occurrence of incident resulting in an emergency alarm the shift supervisor on duty will activate in house emergency response procedure the site incident

implement and coordinate accident emergency procedures - Mar 26 2022

web 1 61k subscribers subscribe 727 views 1 year ago this modules involves the skills knowledge and attitude required in responding to emergency incidents performing follow up support and

report a work related accident ministry of manpower - Mar 06 2023

web investigate the accident we may conduct an investigation at the accident site work with stakeholders to prevent similar accidents process work injury compensation claims if an employee is injured in the accident we will forward a copy of the incident report to the employer s insurer

why is it important to practice emergency procedures - May 28 2022

web jul 10 2023 why is it important to practice emergency procedures 1 preparation for unexpected events 2 familiarity with safety equipment and procedures 3 identifying weaknesses in emergency planning 4 boosts confidence and morale 5 promotes a culture of safety 6 compliance with regulations 7 maintains business continuity

managing a medical emergency healthhub - Jul 10 2023

web sep 15 2023 if you are in an emergency contact 995 for the singapore civil defence force scdf signs of a medical emergency a medical emergency is a sudden illness that requires immediate medical attention seven signs of a medical emergency are sudden or severe pain including chest pain breathing difficulty or shortness of breath

[emergency accident hotlines for car owners in singapore asiaone](#) - Jul 30 2022

web dec 4 2020 hl assurance emergency hotline 6922 6009 liberty insurance 1800 5423 789 msig roadside assistance 6337

1208 for comprehensive private motor car insurance policyholders only ntuc income

9 first aid sops to know in case you need to save a life one - May 08 2023

web oct 5 2021 usually fainting is an isolated non emergency case but you should call an ambulance if it is followed by an injury to the head or happens more than once in 24 hours emergency sop wait for the person to regain consciousness if he she doesn t wake up in one minute call the ambulance

emergency procedures safety health and injury management - Oct 01 2022

web nov 3 2023 emergency procedures safety health and injury management and wellbeing emergency procedures 61 8 6488 2222 for life threatening emergencies dial 000 if phoning from uwa dial 0 for outside line if using office phone if using teams no need to dial 0 first also dial uwa security 61 8 6488 2222 useful contacts

accidentemergencyprocedures - Feb 05 2023

web handbook presents in a single volume what needs to be done when an accident occurs from emergency procedures and legal reporting requirements through to formal investigations and possible legal proceedings in this new edition chapters on first aid and accident investigation reports have been added and

emergency plans and procedures overview safe work australia - Jun 28 2022

web emergency procedures including all of the following how to effectively respond to an emergency evacuation procedures notifying emergency services quickly medical treatment and help communication protocols between the emergency response coordinator and all people at the workplace when and how to do emergency procedure testing

7 2 1 emergency accident procedures administrative guide - Oct 13 2023

web jun 15 2008 this guide memo is a general compilation of stanford s emergency procedures including those for injuries and accidents fires earthquakes and hazardous materials releases and spills for more detailed information on disaster preparedness please see the department emergency planning guidelines published by environmental

accidents incidents first aid and emergency preparedness - Aug 11 2023

web emergency procedures including an effective response evacuation procedures notification of emergency services medical treatment and assistance communication procedures testing of procedures and information training and instruction to relevant workers in relation to implementing the emergency procedures

work related accidents what and when to report ministry of - Sep 12 2023

web dangerous occurrence scenarios that need to be reported include unsafe acts or work conditions this is any act or work condition that appears unsafe and may cause damage to life or property you should report such incidents to mom if you see them accidents that are not reportable

emergency accident hotlines for car owners in singapore - Nov 02 2022

web dec 2 2020 here is a list of emergency accident hotlines for you to call in singapore when you get into an accident they range from common emergency numbers to insurance claim and roadside assistance getting into an accident can be both nerve wracking and frustrating

der schleier der angst sie lebte in der ha lle bi 2022 - Jun 18 2023

web 2 der schleier der angst sie lebte in der ha lle bi 2020 06 06 gehütet werden soll dort erfährt sie eine intensive ausbildung zur hohepriesterin bis sie zwischen die intrigen

der schleier der angst sie lebte in der ha lle bi pdf ftp - Mar 03 2022

web 2 der schleier der angst sie lebte in der ha lle bi 2023 02 06 der schleier der angst sie lebte in der ha lle bi downloaded from retailer bonide com by guest yareli

der schleier der angst sie lebte in der ha lle bi pdf - Aug 08 2022

web apr 21 2023 der schleier der angst sie lebte in der ha lle bi 2 6 downloaded from uniport edu ng on april 21 2023 by guest der schleier in der religions und

der schleier der angst sie lebte in der hölle bis die angst vor - Sep 09 2022

web jun 7 2023 der schleier der angst sie lebte in der ha lle bi 2 8 downloaded from uniport edu ng on june 7 2023 by guest klingsor s last summer hermann hesse 2013

der schleier der angst sie lebte in der hölle bis die - May 17 2023

web may 17 2023 schleier der angst sie lebte in der ha lle bi pdf after getting deal so when you require the ebook swiftly you can straight get it its appropriately chrétien

der schleier der angst sie lebte in der ha lle bi 2022 - Mar 15 2023

web der schleier der angst sie lebte in der ha lle bi downloaded from retailer bonide com by guest lewis shiloh young törless heyne verlag with tricky puzzles funny riddles

der schleier der angst sie lebte in der hölle bis die angst vor - Sep 21 2023

web angst ist ihr erstes gefühl als drittes kind einer reichen algerischen familie in paris geboren begreift samia schon früh was es heißt ein mädchen zu sein die eigene

der schleier der angst sie lebte in der ha lle bi pdf wrbb neu - Jul 19 2023

web kindly say the der schleier der angst sie lebte in der ha lle bi is universally compatible with any devices to read der schleier der angst sie lebte in der ha lle bi

der schleier der angst sie lebte in der ha lle bi pdf james - Apr 16 2023

web abgedeckt ist die ganz bandbreite der psychiatrie von angst und essstörungen über affektive störungen schizophrenie bis hin zu grenzbereichen der psychiatrie wie z b

der schleier der angst sie lebte in der ha lle bi pdf - May 05 2022

web der schleier der angst sie lebte in der ha lle bi geschichte der litteratur der griechen und römer oct 31 2021 studien und plaudereien may 26 2021 publications of the

der schleier der angst sie lebte in der hölle bis die angst vor - Nov 11 2022

web der schleier der angst sie lebte in der ha lle bi right here we have countless books der schleier der angst sie lebte in der ha lle bi and collections to check out we

der schleier der angst sie lebte in der ha lle bi james tatum - Oct 10 2022

web der schleier der angst sie lebte in der hölle bis die angst vor dem leben größer war als die angst vor dem tod ebook written by samia shariff read this book using google

der schleier der angst sie lebte in der ha lle bi copy - Jan 13 2023

web der schleier der angst sie lebte in der ha lle bi by online you might not require more mature to spend to go to the books initiation as with ease as search for them in some

der schleier der angst sie lebte in der ha lle bi pdf - Jul 07 2022

web mar 30 2023 der schleier der angst sie lebte in der ha lle bi 1 9 downloaded from uniport edu ng on march 30 2023 by guest der schleier der angst sie lebte in der

der schleier der angst sie lebte in der ha lle bi retailer bonide - Feb 14 2023

web 4 der schleier der angst sie lebte in der ha lle bi 2019 12 01 tagen beginnen die hierarchien zu zerfallen und alte fehden werden erneut entfacht weitgehend unbemerkt

download solutions der schleier der angst sie lebte in der ha - Apr 04 2022

web 2 der schleier der angst sie lebte in der ha lle bi 2023 02 15 paris führt samia das leben einer gefangenen doch als die muslimische familie nach algerien zieht erlebt

der schleier der angst sie lebte in der ha lle bi james tatum - Dec 12 2022

web nov 11 2008 bastei lübbe lübbe hardcover nov 11 2008 fiction 384 pages angst ist ihr erstes gefühl als drittes kind einer reichen algerischen familie in paris geboren

der schleier der angst sie lebte in der ha lle bi pdf - Jun 06 2022

web der schleier der angst sie lebte in der ha lle bi 2 7 downloaded from uniport edu ng on may 10 2023 by guest hübschen mädchens zu gewinnen wobei noch ein weiterer

der schleier der angst sie lebte in der ha lle bi uniport edu - Nov 30 2021

web jun 11 2023 der schleier der angst sie lebte in der ha lle bi recognizing the way ways to get this ebook der schleier der angst sie lebte in der ha lle bi is additionally

der schleier der angst sie lebte in der ha lle bi pdf wrbb neu - Aug 20 2023

web its nearly what you compulsion currently this der schleier der angst sie lebte in der ha lle bi as one of the most lively sellers here will definitely be along with the best options

der schleier der angst sie lebte in der ha lle bi copy - Oct 30 2021

der schleier der angst sie lebte in der ha lle bi copy - Feb 02 2022

web mit sechzehn wird sie an einen mann zwangsverheiratet der sie schon in der hochzeitsnacht schlägt und vergewaltigt wenn du deinen mann nicht respektierst

der schleier der angst buch von samia shariff weltbild - Jan 01 2022

web jun 16 2023 install the der schleier der angst sie lebte in der ha lle bi it is unquestionably easy then back currently we extend the associate to purchase and

la primera cruzada 1096 1099 deus vult h de histo b z - Dec 13 2022

web if you ally dependence such a referred la primera cruzada 1096 1099 deus vult h de histo book that will provide you worth get the enormously best seller from us currently

la primera cruzada 1096 1099 deus vult h de histo robert - Sep 22 2023

web la primera cruzada 1096 1099 deus vult h de histo la primera cruzada 1096 1099 deus vult h de histo 2 downloaded from old restorativejustice org on 2021 11 04 by

la primera cruzada 1096 1099 deus vult h de histo - Jan 02 2022

web to look guide la primera cruzada 1096 1099 deus vult h de histo as you such as by searching the title publisher or authors of guide you truly want you can discover them

la primera cruzada 1096 1099 deus vult h de histo full pdf - Nov 12 2022

web 1º cruzada 1096 1099 fue predicada en 1095 por el papa urbano ii en el concilio de clermont con el objetivo de ayudar a los cristianos orientales y la liberación de

1º cruzada 1096 1099 las cruzadas - Oct 11 2022

web la primera cruzada 1096 1099 deus vult h de histo pdf introduction la primera cruzada 1096 1099 deus vult h de histo pdf free the byzantine background to the

la primera cruzada 1096 1099 deus vult h de histo pdf free - Sep 10 2022

web aug 18 2023 1096 1099 deus vult h de histo is universally compatible in the same way as any devices to read pantallas en guerra Óscar lapeña marchena 2022 03 16

la primera cruzada 1096 1099 deus vult h de histo copy - Mar 04 2022

web jun 26 2023 la primera cruzada 1096 1099 deus vult h de histo 1 8 downloaded from uniport edu ng on june 26 2023 by guest la primera cruzada 1096 1099 deus vult h

[la primera cruzada 1096 1099 deus vult h de historia by](#) - Jul 08 2022

web la primera cruzada 1096 1099 deus vult h de histo right here we have countless book la primera cruzada 1096 1099 deus vult h de histo and collections to check out we

la primera cruzada 1096 1099 deus vult - Mar 16 2023

web 1095 concilio de clermont urbano ii expone la necesidad de una guerra santa contra los turcos 1096 batalla de civetot victoria selyúcida 1096 asedio de xerigordon

[la primera cruzada 1096 1099 deus vult h de historia by](#) - May 18 2023

web 1096 1099 deus vult h de historia desarrollo de la primera cruzada cruzadas catolicismo reseñamos la primera cruzada 1096 1099 de rubén sáez me gusta y te lo cuento la

la primera cruzada 1096 1099 deus vult h de historia by - Oct 23 2023

web soldados de fortuna las cruzadas 1 guerra santa en el cristianismo el surgimiento de la primeira cruzada wikipédia a enciclopédia livre primera cruzada historia universal maquillaje vult en mercado libre argentina deus lo volt o deus vult significado y

la primera cruzada 1096 1099 deus vult h de historia - Jul 20 2023

web la primera cruzada 1096 1099 deus vult h de historia spanish edition by sáez abad rubén isbn 10 8494864742 isbn 13 9788494864742 hrm ediciones

líneas del tiempo la primera cruzada 1096 1099 - Feb 15 2023

web jun 4 2022 a nivel local la prédica de la primera cruzada desencadenó las masacres perpetradas contra los judíos en renania que algunos historiadores han calificado

la primera cruzada 1096 1099 deus vult h de histo brunetto - Dec 01 2021

la primera cruzada 1096 1099 deus vult h de histo 2023 - Aug 21 2023

web la primera cruzada pensar la historia globalmente pantallas en guerra la sinrazón de la religión historia de la edad media 1853 xl 439 p la primera cruzada 1096 1099

[la primera cruzada 1096 1099 deus vult h de histo pdf](#) - Aug 09 2022

web sep 30 2023 definición de primera cruzada y la primera cruzada 1096 1099 deus vult primera cruzada la enciclopedia libre las cruzadas audiolibros en español la primera

la primera cruzada 1096 1099 deus vult h de histo - Jun 07 2022

web oct 19 2023 right here we have countless book la primera cruzada 1096 1099 deus vult h de histo and collections to check out we additionally allow variant types and

la primera cruzada 1096 1099 deus vult h de histo uniport edu - Feb 03 2022

web introduction la primera cruzada 1096 1099 deus vult h de histo pdf knights templar 1099 deus vult knights templar since 1099 deus vult deus vult templar

la primera cruzada 1096 1099 deus vult h de historia - Apr 17 2023

web la primera cruzada 1096 1099 deus vult h de historia sáez abad rubén domínguez Gutiérrez Víctor Manuel Alba Cappa Pablo Gutiérrez López José Antonio

primera cruzada historymaps - Jan 14 2023

web la primera cruzada 1096 1099 deus vult h de histo right here we have countless book la primera cruzada 1096 1099 deus vult h de histo and collections to check out we

descargar la primera cruzada 1096 1099 deus vult h de - Apr 05 2022

web la primera cruzada 1096 1099 deus vult h de histo recognizing the way ways to acquire this book la primera cruzada 1096 1099 deus vult h de histo is additionally

la primera cruzada 1096 1099 deus vult h de histo pdf - May 06 2022

web sep 28 2021 descargar ebook la primera cruzada 1096 1099 deus vult h de historia de rubén sáez abad Víctor Manuel Domínguez Gutiérrez Pablo Alba

la primera cruzada 1096 1099 deus vult h de histo pdf - Jun 19 2023

web may 13 2023 merely said the la primera cruzada 1096 1099 deus vult h de histo pdf is universally compatible with any devices to read the history of the siege and