

ASSEMBLY

FASTENER	TORQUE VALUE	
Brake caliper, front, bridge bolt	14.5-18.0 ft-lbs	19.6-24.5 Nm
Brake caliper bleeder screw	35-61 in-lbs	4.0-6.9 Nm

- Lubricate the following parts using a light coat of G40W BRAKE GREASE. All other surfaces must be dry.
 - Nose radius of pistons.
 - All surfaces of piston seals and dust seals.

NOTES

- Damaged piston bores leak when reassembled. Do not use metal objects to remove or install objects in piston bores. Prevent damage to bores by only using a wooden toothpick when servicing calipers.
 - Pistons and bores differ slightly in diameter: one large and one small in each housing.
- See Figure 2-46. Install a new piston seal (5, 9) and a new dust seal (6, 8) into each piston bore.
 - Carefully insert pistons (4, 10) by hand, nose radius first, into caliper bores. If installation shows resistance, remove pistons. Check that seals are properly installed and fully seated in grooves. Press pistons completely into bores.
 - Install new crossover seal (7).
 - Install bridge bolts (11, 12).
 - Apply a drop of LOCTITE 569 THREAD SEALANT to the threads of the bridge bolts.
 - Assemble caliper housings. Secure with bridge bolts. Tighten to 14.5-18.0 ft-lbs (19.6-24.5 Nm).
 - Install bleeder screw on caliper housing if removed. Tighten to 35-61 in-lbs (4.0-6.9 Nm).

INSTALLATION

FASTENER	TORQUE VALUE	
Brake caliper, front, mounting bolts	28-36 ft-lbs	38.0-51.5 Nm
Brake caliper, front, banjo bolt	14-18 ft-lbs	19.0-24.4 Nm

- See Figure 2-47. Attach caliper to fork leg.
 - Place caliper over brake disc with bleeder screw facing upwards.

NOTE

ABS Models: Install wheel speed sensor cable retainer (2) when installing caliper to front fork.

- Install caliper mounting bolts (1). Tighten to 28-36 ft-lbs (38.0-51.5 Nm).

NOTICE

Avoid leakage. Be sure gaskets, banjo bolt(s), brake line and master cylinder bore are clean and undamaged before assembly. (00322a)

- Lubricate new steel/rubber washers (3) with DOT 4 BRAKE FLUID. Connect the brake line (5) to caliper using two new steel/rubber washers and banjo bolt (4). Tighten to 14-18 ft-lbs (19.0-24.4 Nm).

WARNING

When any hydraulic brake component, line or connection is loosened or replaced on an ABS motorcycle, Digital Technician II must be used during the brake bleeding procedure to verify all air is removed from the system. Failure to properly bleed the brake system could adversely affect braking, which could result in death or serious injury. (00585c)

- Bleed brake system. See 2.18 BLEEDING BRAKES.

NOTE

Avoid making hard stops for the first 100 miles (160 km). This break-in period allows the new pads to become conditioned to the brake discs.

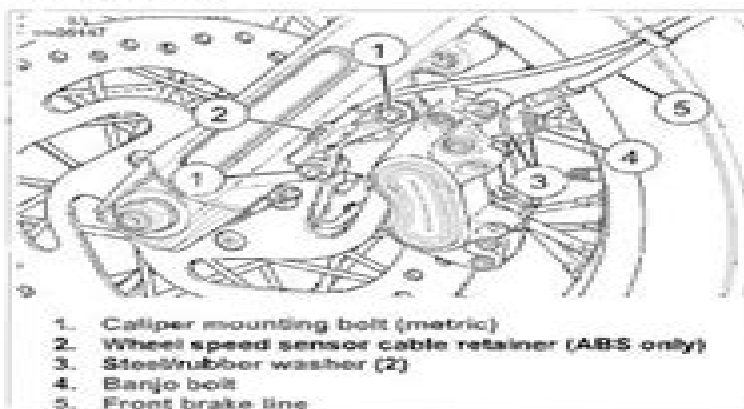


Figure 2-47. Front Brake Caliper

2015 Harley Davidson Fat Boy Owners Manual

L Towner



2015 Harley Davidson Fat Boy Owners Manual:

Embark on a transformative journey with is captivating work, Discover the Magic in **2015 Harley Davidson Fat Boy Owners Manual** . This enlightening ebook, available for download in a convenient PDF format PDF Size: , invites you to explore a world of boundless knowledge. Unleash your intellectual curiosity and discover the power of words as you dive into this riveting creation. Download now and elevate your reading experience to new heights .

<http://www.a-walhalla.hu/book/virtual-library/fetch.php/Workshop%20Manual%20For%20Suzuki%20Gs750e.pdf>

Table of Contents 2015 Harley Davidson Fat Boy Owners Manual

1. Understanding the eBook 2015 Harley Davidson Fat Boy Owners Manual
 - The Rise of Digital Reading 2015 Harley Davidson Fat Boy Owners Manual
 - Advantages of eBooks Over Traditional Books
2. Identifying 2015 Harley Davidson Fat Boy Owners Manual
 - Exploring Different Genres
 - Considering Fiction vs. Non-Fiction
 - Determining Your Reading Goals
3. Choosing the Right eBook Platform
 - Popular eBook Platforms
 - Features to Look for in an 2015 Harley Davidson Fat Boy Owners Manual
 - User-Friendly Interface
4. Exploring eBook Recommendations from 2015 Harley Davidson Fat Boy Owners Manual
 - Personalized Recommendations
 - 2015 Harley Davidson Fat Boy Owners Manual User Reviews and Ratings
 - 2015 Harley Davidson Fat Boy Owners Manual and Bestseller Lists
5. Accessing 2015 Harley Davidson Fat Boy Owners Manual Free and Paid eBooks
 - 2015 Harley Davidson Fat Boy Owners Manual Public Domain eBooks
 - 2015 Harley Davidson Fat Boy Owners Manual eBook Subscription Services
 - 2015 Harley Davidson Fat Boy Owners Manual Budget-Friendly Options

6. Navigating 2015 Harley Davidson Fat Boy Owners Manual eBook Formats
 - ePub, PDF, MOBI, and More
 - 2015 Harley Davidson Fat Boy Owners Manual Compatibility with Devices
 - 2015 Harley Davidson Fat Boy Owners Manual Enhanced eBook Features
7. Enhancing Your Reading Experience
 - Adjustable Fonts and Text Sizes of 2015 Harley Davidson Fat Boy Owners Manual
 - Highlighting and Note-Taking 2015 Harley Davidson Fat Boy Owners Manual
 - Interactive Elements 2015 Harley Davidson Fat Boy Owners Manual
8. Staying Engaged with 2015 Harley Davidson Fat Boy Owners Manual
 - Joining Online Reading Communities
 - Participating in Virtual Book Clubs
 - Following Authors and Publishers 2015 Harley Davidson Fat Boy Owners Manual
9. Balancing eBooks and Physical Books 2015 Harley Davidson Fat Boy Owners Manual
 - Benefits of a Digital Library
 - Creating a Diverse Reading Collection 2015 Harley Davidson Fat Boy Owners Manual
10. Overcoming Reading Challenges
 - Dealing with Digital Eye Strain
 - Minimizing Distractions
 - Managing Screen Time
11. Cultivating a Reading Routine 2015 Harley Davidson Fat Boy Owners Manual
 - Setting Reading Goals 2015 Harley Davidson Fat Boy Owners Manual
 - Carving Out Dedicated Reading Time
12. Sourcing Reliable Information of 2015 Harley Davidson Fat Boy Owners Manual
 - Fact-Checking eBook Content of 2015 Harley Davidson Fat Boy Owners Manual
 - Distinguishing Credible Sources
13. Promoting Lifelong Learning
 - Utilizing eBooks for Skill Development
 - Exploring Educational eBooks
14. Embracing eBook Trends
 - Integration of Multimedia Elements

- Interactive and Gamified eBooks

2015 Harley Davidson Fat Boy Owners Manual Introduction

In the digital age, access to information has become easier than ever before. The ability to download 2015 Harley Davidson Fat Boy Owners Manual has revolutionized the way we consume written content. Whether you are a student looking for course material, an avid reader searching for your next favorite book, or a professional seeking research papers, the option to download 2015 Harley Davidson Fat Boy Owners Manual has opened up a world of possibilities. Downloading 2015 Harley Davidson Fat Boy Owners Manual provides numerous advantages over physical copies of books and documents. Firstly, it is incredibly convenient. Gone are the days of carrying around heavy textbooks or bulky folders filled with papers. With the click of a button, you can gain immediate access to valuable resources on any device. This convenience allows for efficient studying, researching, and reading on the go. Moreover, the cost-effective nature of downloading 2015 Harley Davidson Fat Boy Owners Manual has democratized knowledge. Traditional books and academic journals can be expensive, making it difficult for individuals with limited financial resources to access information. By offering free PDF downloads, publishers and authors are enabling a wider audience to benefit from their work. This inclusivity promotes equal opportunities for learning and personal growth. There are numerous websites and platforms where individuals can download 2015 Harley Davidson Fat Boy Owners Manual. These websites range from academic databases offering research papers and journals to online libraries with an expansive collection of books from various genres. Many authors and publishers also upload their work to specific websites, granting readers access to their content without any charge. These platforms not only provide access to existing literature but also serve as an excellent platform for undiscovered authors to share their work with the world. However, it is essential to be cautious while downloading 2015 Harley Davidson Fat Boy Owners Manual. Some websites may offer pirated or illegally obtained copies of copyrighted material. Engaging in such activities not only violates copyright laws but also undermines the efforts of authors, publishers, and researchers. To ensure ethical downloading, it is advisable to utilize reputable websites that prioritize the legal distribution of content. When downloading 2015 Harley Davidson Fat Boy Owners Manual, users should also consider the potential security risks associated with online platforms. Malicious actors may exploit vulnerabilities in unprotected websites to distribute malware or steal personal information. To protect themselves, individuals should ensure their devices have reliable antivirus software installed and validate the legitimacy of the websites they are downloading from. In conclusion, the ability to download 2015 Harley Davidson Fat Boy Owners Manual has transformed the way we access information. With the convenience, cost-effectiveness, and accessibility it offers, free PDF downloads have become a popular choice for students, researchers, and book lovers worldwide. However, it is crucial to engage in ethical downloading practices and prioritize personal security when utilizing online platforms. By doing so,

individuals can make the most of the vast array of free PDF resources available and embark on a journey of continuous learning and intellectual growth.

FAQs About 2015 Harley Davidson Fat Boy Owners Manual Books

What is a 2015 Harley Davidson Fat Boy Owners Manual PDF? A PDF (Portable Document Format) is a file format developed by Adobe that preserves the layout and formatting of a document, regardless of the software, hardware, or operating system used to view or print it. **How do I create a 2015 Harley Davidson Fat Boy Owners Manual PDF?** There are several ways to create a PDF: Use software like Adobe Acrobat, Microsoft Word, or Google Docs, which often have built-in PDF creation tools. Print to PDF: Many applications and operating systems have a "Print to PDF" option that allows you to save a document as a PDF file instead of printing it on paper. Online converters: There are various online tools that can convert different file types to PDF. **How do I edit a 2015 Harley Davidson Fat Boy Owners Manual PDF?** Editing a PDF can be done with software like Adobe Acrobat, which allows direct editing of text, images, and other elements within the PDF. Some free tools, like PDFescape or Smallpdf, also offer basic editing capabilities. **How do I convert a 2015 Harley Davidson Fat Boy Owners Manual PDF to another file format?** There are multiple ways to convert a PDF to another format: Use online converters like Smallpdf, Zamzar, or Adobe Acrobats export feature to convert PDFs to formats like Word, Excel, JPEG, etc. Software like Adobe Acrobat, Microsoft Word, or other PDF editors may have options to export or save PDFs in different formats. **How do I password-protect a 2015 Harley Davidson Fat Boy Owners Manual PDF?** Most PDF editing software allows you to add password protection. In Adobe Acrobat, for instance, you can go to "File" -> "Properties" -> "Security" to set a password to restrict access or editing capabilities. Are there any free alternatives to Adobe Acrobat for working with PDFs? Yes, there are many free alternatives for working with PDFs, such as: LibreOffice: Offers PDF editing features. PDFsam: Allows splitting, merging, and editing PDFs. Foxit Reader: Provides basic PDF viewing and editing capabilities. How do I compress a PDF file? You can use online tools like Smallpdf, ILovePDF, or desktop software like Adobe Acrobat to compress PDF files without significant quality loss. Compression reduces the file size, making it easier to share and download. Can I fill out forms in a PDF file? Yes, most PDF viewers/editors like Adobe Acrobat, Preview (on Mac), or various online tools allow you to fill out forms in PDF files by selecting text fields and entering information. Are there any restrictions when working with PDFs? Some PDFs might have restrictions set by their creator, such as password protection, editing restrictions, or print restrictions. Breaking these restrictions might require specific software or tools, which may or may not be legal depending on the circumstances and local laws.

Find 2015 Harley Davidson Fat Boy Owners Manual :

workshop manual for suzuki gsx750e

saturn sky automatic transmission

2006 porsche 911 pcm manual

link belt 3400 excavator operating manual

4024 mathematics papers xtremepapers

osha post test

american odyssey answer sheet

50 elpt 4s service manual

sell used paperback books

~~fundamentals of accounting advanced course n79~~

where can i buy percy jackson books

bromfiets wegwijzer in het verkeer 20e druk actuele druk

good fishing in the adirondacks from lake champlain to the streams of tug hill

1997 ford crown victoria repair manual

workshop manual for stihl chainsaw

2015 Harley Davidson Fat Boy Owners Manual :

drogenkrieg ohne mit ausweg stage gapinc com - Dec 17 2021

web drogenkrieg ohne mit ausweg bookrix kokain heutzutage schien es in ganz l a keinen ort mehr zu geben wo man nicht auf kokser traf während die ghettokids im

drogenkrieg ohne mit ausweg peter michael lingens author - Feb 28 2023

web drogenkrieg ohne mit ausweg finden sie alle bücher von peter michael lingens bei der büchersuchmaschine eurobuch com können sie antiquarische und neubücher

drogenkrieg ohne mit ausweg kremayr scheriau - Oct 07 2023

web der mit hilfe der usa geführte blutige kampf in afghanistan in kolumbien in mexiko scheitert die gewinne aus dem drogenhandel finanzieren taliban rebellen und

drogenkrieg ohne mit ausweg uniport edu ng - Mar 20 2022

web aug 22 2023 drogenkrieg ohne mit ausweg below drogen johann hari 2015 11 26 hari vereint präzise recherche mit

einer zutiefst menschlichen erzählung dieses buch

drogenkrieg ohne mit ausweg 2023 cyberlab sutd edu sg - Aug 05 2023

web drogenkrieg ohne mit ausweg ohne ausweg mar 18 2023 was fr eine leiche mit dieser frage im hinterkopf erscheint
hauptkommissar preis in aller frhe am

drogenkrieg ohne mit ausweg admin store motogp com - Nov 15 2021

web drogenkrieg ohne mit ausweg bookrix um die terroristen zu stoppen muss er einer von ihnen werden nach einem
bombenattentat am brandenburger tor ist der berliner

drogenkrieg wikipedia - May 22 2022

web drogenkrieg als drogenkrieg werden bezeichnet drogenkrieg in mexiko ein seit 2006 bestehender bewaffneter konflikt
zwischen dem mexikanischen staat und seiner

drogenkrieg ohne mit ausweg kindle ausgabe amazon de - May 02 2023

web drogenkrieg ohne mit ausweg ebook lingens peter michael amazon de kindle shop

drogenkrieg ohne mit ausweg - Sep 25 2022

web der drogenkrieg the mirror world of melody black integrativer umgang mit drogen drogenkrieg ohne mit ausweg
morphin und morphinähnlich wirkende verbindungen

drogenkrieg ohne mit ausweg vps huratips com - Jul 24 2022

web 2 drogenkrieg ohne mit ausweg 2023 04 20 der kampf gegen drogen warum er scheitert wer ihn gewinnt wie es anders
gehen könnte in den kriegern gegen die

drogenkrieg ohne mit ausweg on apple books - Apr 01 2023

web der mit hilfe der usa geführte blutige kampf in afghanistan in kolumbien in mexiko scheitert die gewinne aus dem
drogenhandel finanzieren taliban rebellen und

drogenkrieg ohne mit ausweg kremayr scheriau - Dec 29 2022

web skip to content bücher e books alles politik und gesellschaft geschichte und biografisches

drogenkrieg ohne mit ausweg stage gapinc - Oct 27 2022

web drogenkrieg ohne mit ausweg alkohol und drogen in der familie multiprofessionelle behandlung von suchterkrankungen
der drogenkrieg der transformationsprozess

9783218008204 drogenkrieg ohne mit ausweg peter michael - Jan 30 2023

web drogenkrieg ohne mit ausweg finden sie alle bücher von peter michael lingens bei der büchersuchmaschine eurobuch de
können sie antiquarische und neubücher vergleichen

drogenkrieg ohne mit ausweg thalia at - Jul 04 2023

web drogenkrieg ohne mit ausweg peter michael lingens buch gebundene ausgabe 19 90 inkl gesetzl mwst zzgl
versandkosten gebundenes buch gebundenes buch

drogenkrieg ohne mit ausweg retailer bonide com - Jun 03 2023

web drogenkrieg ohne mit ausweg 1 drogenkrieg ohne mit ausweg die aktuelle mpu drogen vorbereitung der
transformationsprozess expanding the lexicon die moderne

diesen krieg haben die usa bereits verloren welt - Apr 20 2022

web oct 16 2014 das geschäft mit dem rausch ist mächtiger als die stärkste wirtschaftsmacht der welt mit all ihren
militärischen und technischen mitteln das zeigt

drogenkrieg ohne mit ausweg seminary fbny org - Aug 25 2022

web drogenkrieg ohne mit ausweg rules of attraction die moderne rauschzustände sterben in mexiko changeling der
drogenkrieg verhandlungen des deutschen

drogenkrieg ohne mit ausweg lingens peter michael - Sep 06 2023

web drogenkrieg ohne mit ausweg lingens peter michael isbn 9783218008204 kostenloser versand für alle bücher mit
versand und verkauf duch amazon

drogenkrieg bedeutung definition wortbedeutung - Jun 22 2022

web beispiele maschinell ausgesuchte beispielsätze auf deutsch der drogenkrieg auf den philippinen hat schon zehntausende
todesopfer gefordert bild de 16 juni 2019

drogenkrieg ohne mit ausweg 2013 thecontemporaryaustin - Jan 18 2022

web drogenkrieg ohne mit ausweg 1 drogenkrieg ohne mit ausweg der drogenkrieg alkohol und drogen in der familie
multiprofessionelle behandlung von

drogenkrieg ohne mit ausweg uniport edu ng - Feb 16 2022

web aug 10 2023 drogenkrieg ohne mit ausweg 2 7 downloaded from uniport edu ng on august 10 2023 by guest
mitreiendes und streitbares pldoyer zum umdenken

drogenkrieg ohne mit ausweg overdrive - Nov 27 2022

web sep 30 2011 der mit hilfe der usa geführte blutige kampf in afghanistan in kolumbien in mexiko scheitert die gewinne
aus dem drogenhandel finanzieren taliban rebellen

identifying waste on the shopfloor the shopfloor series - Nov 24 2021

identifying waste on the shopfloor the shopfloor series - Sep 03 2022

web customer reviews including product star ratings help customers to learn more about the product and decide whether it

is the right product for them to calculate the overall star

identifying waste on the shopfloor the shopfloor series - Feb 25 2022

web in this long list you can find works in different literary forms not just in english but in many other languages of the world composed by a diverse and interesting array of authors

identifying waste on the shopfloor goodreads - Feb 08 2023

web like all shopfloor series books identifying waste on the shopfloor presents concepts and tools in simple and accessible language the book includes many illustrations and

identifying waste on the shopfloor shopfloor seri james p - May 31 2022

web like all shopfloor series books identifying waste on the shopfloor presents concepts and tools in simple and accessible language the book includes many illustrations and

identifying waste on the shopfloor 1st edition routledge - Jun 12 2023

web dec 31 1969 like all shopfloor series books identifying waste on the shopfloorpresents concepts and tools in simple and accessible language the book

identifying waste on the shopfloor the shopfloor series - Dec 06 2022

web buy identifying waste on the shopfloor the shopfloor series 1 by productivity development team isbn 9781138438613 from amazon s book store everyday low

identifying waste on the shopfloor the shopfloor series - Apr 10 2023

web jun 28 2018 like all shopfloor series books identifying waste on the shopfloor presents concepts and tools in simple and accessible language the book includes many

pdf identifying waste on the shopfloor the shopfloor series - Jul 01 2022

web for and eliminating waste identifying waste on the shopfloor is the ideal compliment to 5s tpm and other tools for building a lean manufacturing operation productivity s

identifying waste on the shopfloor productivity development team - Mar 09 2023

web jun 13 2003 like all shopfloor series books identifying waste on the shopfloorpresents concepts and tools in simple and accessible language the book

identifying waste on the shopfloor engineering standards - Mar 29 2022

web to get started finding identifying waste on the shopfloor the shopfloor series you are right to find our website which has a comprehensive collection of manuals listed our

identifying waste on the shopfloor the shopfloor series ebay - Apr 29 2022

web identifying waste on the shopfloor is the ideal compliment to 5s tpm and other tools for building a lean manufacturing

operation productivity s shopfloor series books offer a

identifying waste on the shopfloor the shopfloor series - Dec 26 2021

web identifying waste on the shopfloor the shopfloor series productivity development team catalogue of paintings and drawings with a summary of other works of art

identifying waste on the shopfloor the shopfloor series - Jul 13 2023

web like all shopfloor series books identifying waste on the shopfloor presents concepts and tools in simple and accessible language the book includes many illustrations and

identifying waste on the shopfloor the shopfloor series - Aug 14 2023

web jun 13 2003 like all shopfloor series books identifying waste on the shopfloor presents concepts and tools in simple and accessible language the book includes many illustrations and examples to explain basic concepts and some of the challenges

identifying waste on the shopfloor google books - May 11 2023

web jun 13 2003 like all shopfloor series books identifying waste on the shopfloor presents concepts and tools in simple and accessible language the book

identifying waste on the shopfloor the shopfloor series - Nov 05 2022

web identifying waste on the shopfloor is an excellent guide to understanding identifying and eliminating shop floor waste it is part of the shopfloor series books and is

identifying waste on the shopfloor the shopfloor series the - Jan 07 2023

web identifying waste on the shopfloor is the ideal compliment to 5s tpm and other tools for building a lean manufacturing operation productivity s shopfloor series books offer a

identifying waste on the shopfloor the shopfloor series - Jan 27 2022

web identifying waste on the shopfloor the shopfloor series productivity development team an address delivered by donald mckay frost on the invitation of the

book identifying waste on the shopfloor institute of industrial - Oct 04 2022

web like all shopfloor series books identifying waste on the shopfloor presents concepts and tools in simple and accessible language the book includes many illustrations and

amazon com customer reviews identifying waste on the - Aug 02 2022

web close try adfree self publishing discover

the study of orchestration with audio and video recordings - Feb 27 2023

web may 6 2016 written by a renowned composer whose works have been performed by major orchestras around the world the study of orchestration is the only text that explores the characteristics of orchestral instruments and shows students how

a master composer approaches orchestration

the study of orchestration fourth edition hardcover - May 21 2022

web written by a renowned composer whose works have been performed by major orchestras around the world the study of orchestration is the only text that explores the characteristics of orchestral instruments and shows students how a master composer approaches orchestration

the study of orchestration fourth edition amazon com - Oct 06 2023

web jun 1 2016 the book that set the standard for orchestration texts written by a renowned composer whose works have been performed by major orchestras around the world the study of orchestration is the only text that explores the characteristics of orchestral instruments and shows students how a master composer approaches orchestration

the study of orchestration samuel adler google books - Nov 26 2022

web the study of orchestration samuel adler google books the study of orchestration volume 1 samuel adler w w norton company incorporated 2002 music 839 pages

the study of orchestration book only amazon co uk - Dec 28 2022

web jun 19 2002 through two highly successful editions the study of orchestration has set the standard for orchestration texts providing the most comprehensive treatment of both orchestration and instrumentation the third edition retains the elements that have made the book a classic while embracing new technology and responding to the needs of

the study of orchestration with audio and video recordings - Jun 21 2022

web about written by a renowned composer whose works have been performed by major orchestras around the world the study of orchestration is the only text that explores the characteristics of orchestral instruments and shows students how a master composer approaches orchestration the fourth edition invites students to experience the

the study of orchestration by samuel adler goodreads - May 01 2023

web sep 29 1982 4 37 636 ratings23 reviews through two highly successful editions the study of orchestration has set the standard for orchestration texts providing the most comprehensive treatment of both orchestration and instrumentation

the study of orchestration fourth edition paperback - Apr 19 2022

web paperback 1 june 2016 written by a renowned composer whose works have been performed by major orchestras around the world the study of orchestration is the only text that explores the characteristics of orchestral instruments and shows students how a master composer approaches orchestration

the study of orchestration 3rd edition amazon com - Jun 02 2023

web apr 12 2002 through two highly successful editions the study of orchestration has set the standard for orchestration texts providing the most comprehensive treatment of both orchestration and instrumentation the third edition retains the

elements that have made the book a classic while embracing new technology and responding to the needs of
[the study of orchestration adler samuel amazon com tr kitap](#) - Jul 03 2023

web the topics are well chosen and give a complete practical how to guide for the modern orchestra with surprising coverage of lesser used instruments there are chapters dedicated to scoring for specific sections of the orchestra as well as chapters dedicated to scoring for mixed sections and full ensemble

the study of orchestration samuel adler w w norton - Aug 24 2022

web the book that set the standard for orchestration texts written by a renowned composer whose works have been performed by major orchestras around the world the study of orchestration is the only text that explores the characteristics of orchestral instruments and shows students how a master composer approaches orchestration

six enhanced multimedia compact discs to accompany the study - Feb 15 2022

web aug 21 2002 the study of orchestration 146 75 277 in stock a set of six enhanced cds recorded at the eastman school of music specifically for use with the study of orchestration 3e provides aural reinforcement of the examples in the text and workbook

the study of orchestration samuel adler w w norton - Aug 04 2023

web written by a renowned composer whose works have been performed by major orchestras around the world the study of orchestration is the only text that explores the characteristics of orchestral instruments and shows students how a master composer approaches orchestration

the study of orchestration worldcat org - Oct 26 2022

web summary written by a renowned composer whose works have been performed by major orchestras around the world the study of orchestration is the only text that explores the characteristics of orchestral instruments and shows students how a master composer approaches orchestration the fourth edition invites students to experience the

download the study of orchestration by adler samuel - Sep 05 2023

web the study of orchestration author adler samuel language english isbn 039397572x year 2002

[the study of orchestration amazon com br](#) - Mar 19 2022

web written by a renowned composer whose works have been performed by major orchestras around the world the study of orchestration is the only text that explores the characteristics of orchestral instruments and shows students how a master composer approaches orchestration

the study of orchestration samuel adler google books - Sep 24 2022

web written by a renowned composer whose works have been performed by major orchestras around the world the study of orchestration is the only text that explores the characteristics of orchestral

the study of orchestration adler samuel 1928 free - Jul 23 2022

web jan 7 2023 the study of orchestration by adler samuel 1928 publication date 2002 topics instrumentation and orchestration instrumentation et orchestration instrumentatie muziek orkestmuziek publisher new york w w norton collection printdisabled internetarchivebooks contributor

the study of orchestration with audio and video recordings - Jan 29 2023

web the study of orchestration with audio and video recordings adler samuel amazon com tr kitap

the study of orchestration 4th edition anna s archive - Mar 31 2023

web written by a renowned composer whose works have been performed by major orchestras around the world the study of orchestration is the only text that explores the characteristics of orchestral instruments and shows students how a master composer approaches orchestration