

100% SATISFACTION GUARANTEE

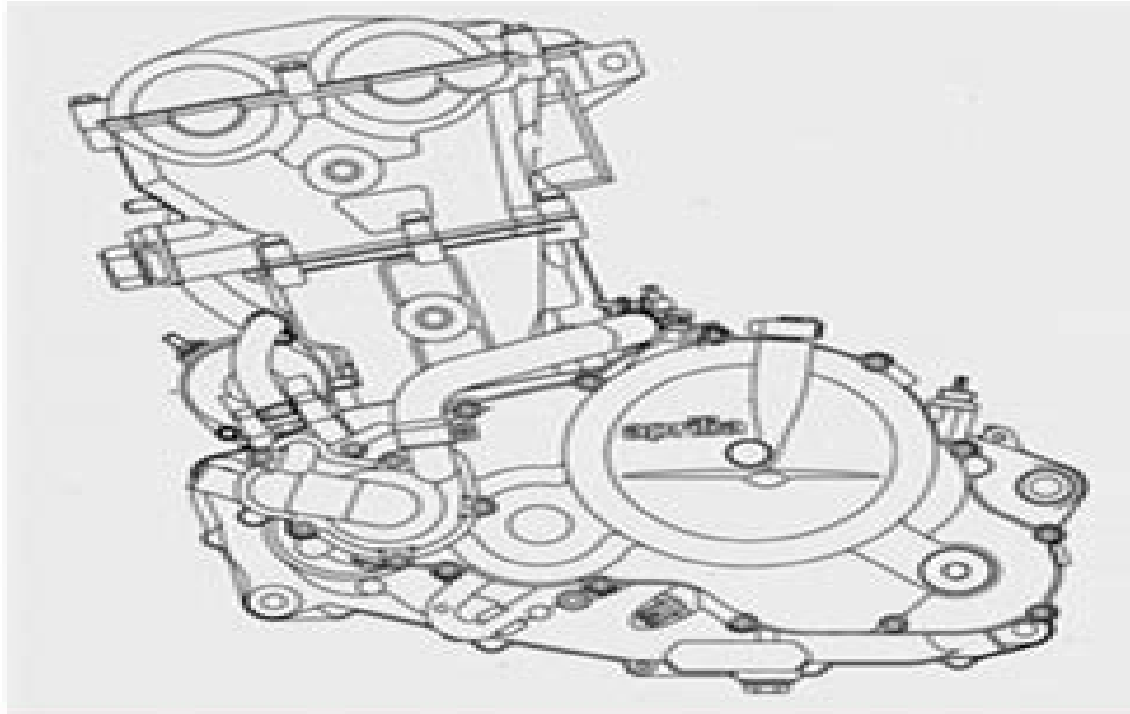


eBOOK



Instant Download

Aprilia Rotax Engine Type 655 / 95



DO
IT
YOURSELF

Service · Repair · Maintenance



Aprilia Rotax Engine Type 655 Efi 2001 Workshop Service

K Payea



Aprilia Rotax Engine Type 655 Efi 2001 Workshop Service:

This Captivating World of E-book Books: A Thorough Guide Unveiling the Pros of Kindle Books: A Realm of Convenience and Flexibility Kindle books, with their inherent portability and simplicity of availability, have liberated readers from the limitations of hardcopy books. Done are the days of carrying bulky novels or meticulously searching for particular titles in bookstores. E-book devices, sleek and lightweight, seamlessly store an extensive library of books, allowing readers to indulge in their favorite reads whenever, anywhere. Whether traveling on a busy train, lounging on a sunny beach, or just cozying up in bed, Kindle books provide an unparalleled level of convenience. A Literary World Unfolded: Discovering the Vast Array of E-book Aprilia Rotax Engine Type 655 Efi 2001 Workshop Service Aprilia Rotax Engine Type 655 Efi 2001 Workshop Service The Kindle Store, a virtual treasure trove of literary gems, boasts an extensive collection of books spanning diverse genres, catering to every readers preference and choice. From captivating fiction and mind-stimulating non-fiction to timeless classics and modern bestsellers, the E-book Store offers an unparalleled abundance of titles to discover. Whether looking for escape through engrossing tales of imagination and adventure, diving into the depths of historical narratives, or expanding ones knowledge with insightful works of science and philosophical, the E-book Shop provides a gateway to a literary universe brimming with endless possibilities. A Game-changing Force in the Literary Landscape: The Enduring Impact of Kindle Books Aprilia Rotax Engine Type 655 Efi 2001 Workshop Service The advent of Kindle books has unquestionably reshaped the bookish landscape, introducing a paradigm shift in the way books are released, distributed, and consumed. Traditional publication houses have embraced the online revolution, adapting their approaches to accommodate the growing need for e-books. This has led to a surge in the availability of Kindle titles, ensuring that readers have access to a vast array of literary works at their fingers. Moreover, E-book books have democratized entry to literature, breaking down geographical limits and providing readers worldwide with equal opportunities to engage with the written word. Regardless of their location or socioeconomic background, individuals can now immerse themselves in the captivating world of books, fostering a global community of readers. Conclusion: Embracing the Kindle Experience Aprilia Rotax Engine Type 655 Efi 2001 Workshop Service E-book books Aprilia Rotax Engine Type 655 Efi 2001 Workshop Service, with their inherent convenience, flexibility, and wide array of titles, have certainly transformed the way we experience literature. They offer readers the liberty to explore the limitless realm of written expression, whenever, anywhere. As we continue to navigate the ever-evolving digital landscape, E-book books stand as testament to the lasting power of storytelling, ensuring that the joy of reading remains reachable to all.

<http://www.a-walhalla.hu/public/browse/default.aspx/fill%20in%20the%20blank%20heart%20diagram.pdf>

Table of Contents Aprilia Rotax Engine Type 655 Efi 2001 Workshop Service

1. Understanding the eBook Aprilia Rotax Engine Type 655 Efi 2001 Workshop Service
 - The Rise of Digital Reading Aprilia Rotax Engine Type 655 Efi 2001 Workshop Service
 - Advantages of eBooks Over Traditional Books
2. Identifying Aprilia Rotax Engine Type 655 Efi 2001 Workshop Service
 - Exploring Different Genres
 - Considering Fiction vs. Non-Fiction
 - Determining Your Reading Goals
3. Choosing the Right eBook Platform
 - Popular eBook Platforms
 - Features to Look for in an Aprilia Rotax Engine Type 655 Efi 2001 Workshop Service
 - User-Friendly Interface
4. Exploring eBook Recommendations from Aprilia Rotax Engine Type 655 Efi 2001 Workshop Service
 - Personalized Recommendations
 - Aprilia Rotax Engine Type 655 Efi 2001 Workshop Service User Reviews and Ratings
 - Aprilia Rotax Engine Type 655 Efi 2001 Workshop Service and Bestseller Lists
5. Accessing Aprilia Rotax Engine Type 655 Efi 2001 Workshop Service Free and Paid eBooks
 - Aprilia Rotax Engine Type 655 Efi 2001 Workshop Service Public Domain eBooks
 - Aprilia Rotax Engine Type 655 Efi 2001 Workshop Service eBook Subscription Services
 - Aprilia Rotax Engine Type 655 Efi 2001 Workshop Service Budget-Friendly Options
6. Navigating Aprilia Rotax Engine Type 655 Efi 2001 Workshop Service eBook Formats
 - ePub, PDF, MOBI, and More
 - Aprilia Rotax Engine Type 655 Efi 2001 Workshop Service Compatibility with Devices
 - Aprilia Rotax Engine Type 655 Efi 2001 Workshop Service Enhanced eBook Features
7. Enhancing Your Reading Experience
 - Adjustable Fonts and Text Sizes of Aprilia Rotax Engine Type 655 Efi 2001 Workshop Service
 - Highlighting and Note-Taking Aprilia Rotax Engine Type 655 Efi 2001 Workshop Service
 - Interactive Elements Aprilia Rotax Engine Type 655 Efi 2001 Workshop Service

8. Staying Engaged with Aprilia Rotax Engine Type 655 Efi 2001 Workshop Service
 - Joining Online Reading Communities
 - Participating in Virtual Book Clubs
 - Following Authors and Publishers Aprilia Rotax Engine Type 655 Efi 2001 Workshop Service
9. Balancing eBooks and Physical Books Aprilia Rotax Engine Type 655 Efi 2001 Workshop Service
 - Benefits of a Digital Library
 - Creating a Diverse Reading Collection Aprilia Rotax Engine Type 655 Efi 2001 Workshop Service
10. Overcoming Reading Challenges
 - Dealing with Digital Eye Strain
 - Minimizing Distractions
 - Managing Screen Time
11. Cultivating a Reading Routine Aprilia Rotax Engine Type 655 Efi 2001 Workshop Service
 - Setting Reading Goals Aprilia Rotax Engine Type 655 Efi 2001 Workshop Service
 - Carving Out Dedicated Reading Time
12. Sourcing Reliable Information of Aprilia Rotax Engine Type 655 Efi 2001 Workshop Service
 - Fact-Checking eBook Content of Aprilia Rotax Engine Type 655 Efi 2001 Workshop Service
 - Distinguishing Credible Sources
13. Promoting Lifelong Learning
 - Utilizing eBooks for Skill Development
 - Exploring Educational eBooks
14. Embracing eBook Trends
 - Integration of Multimedia Elements
 - Interactive and Gamified eBooks

Aprilia Rotax Engine Type 655 Efi 2001 Workshop Service Introduction

Free PDF Books and Manuals for Download: Unlocking Knowledge at Your Fingertips In today's fast-paced digital age, obtaining valuable knowledge has become easier than ever. Thanks to the internet, a vast array of books and manuals are now available for free download in PDF format. Whether you are a student, professional, or simply an avid reader, this treasure trove of downloadable resources offers a wealth of information, conveniently accessible anytime, anywhere. The advent of online libraries and platforms dedicated to sharing knowledge has revolutionized the way we consume information.

No longer confined to physical libraries or bookstores, readers can now access an extensive collection of digital books and manuals with just a few clicks. These resources, available in PDF, Microsoft Word, and PowerPoint formats, cater to a wide range of interests, including literature, technology, science, history, and much more. One notable platform where you can explore and download free Aprilia Rotax Engine Type 655 Efi 2001 Workshop Service PDF books and manuals is the internet's largest free library. Hosted online, this catalog compiles a vast assortment of documents, making it a veritable goldmine of knowledge. With its easy-to-use website interface and customizable PDF generator, this platform offers a user-friendly experience, allowing individuals to effortlessly navigate and access the information they seek. The availability of free PDF books and manuals on this platform demonstrates its commitment to democratizing education and empowering individuals with the tools needed to succeed in their chosen fields. It allows anyone, regardless of their background or financial limitations, to expand their horizons and gain insights from experts in various disciplines. One of the most significant advantages of downloading PDF books and manuals lies in their portability. Unlike physical copies, digital books can be stored and carried on a single device, such as a tablet or smartphone, saving valuable space and weight. This convenience makes it possible for readers to have their entire library at their fingertips, whether they are commuting, traveling, or simply enjoying a lazy afternoon at home. Additionally, digital files are easily searchable, enabling readers to locate specific information within seconds. With a few keystrokes, users can search for keywords, topics, or phrases, making research and finding relevant information a breeze. This efficiency saves time and effort, streamlining the learning process and allowing individuals to focus on extracting the information they need. Furthermore, the availability of free PDF books and manuals fosters a culture of continuous learning. By removing financial barriers, more people can access educational resources and pursue lifelong learning, contributing to personal growth and professional development. This democratization of knowledge promotes intellectual curiosity and empowers individuals to become lifelong learners, promoting progress and innovation in various fields. It is worth noting that while accessing free Aprilia Rotax Engine Type 655 Efi 2001 Workshop Service PDF books and manuals is convenient and cost-effective, it is vital to respect copyright laws and intellectual property rights. Platforms offering free downloads often operate within legal boundaries, ensuring that the materials they provide are either in the public domain or authorized for distribution. By adhering to copyright laws, users can enjoy the benefits of free access to knowledge while supporting the authors and publishers who make these resources available. In conclusion, the availability of Aprilia Rotax Engine Type 655 Efi 2001 Workshop Service free PDF books and manuals for download has revolutionized the way we access and consume knowledge. With just a few clicks, individuals can explore a vast collection of resources across different disciplines, all free of charge. This accessibility empowers individuals to become lifelong learners, contributing to personal growth, professional development, and the advancement of society as a whole. So why not unlock a world of knowledge today? Start exploring the vast sea of free PDF books and manuals waiting to be discovered right at your

fingertips.

FAQs About Aprilia Rotax Engine Type 655 Efi 2001 Workshop Service Books

How do I know which eBook platform is the best for me? Finding the best eBook platform depends on your reading preferences and device compatibility. Research different platforms, read user reviews, and explore their features before making a choice. Are free eBooks of good quality? Yes, many reputable platforms offer high-quality free eBooks, including classics and public domain works. However, make sure to verify the source to ensure the eBook credibility. Can I read eBooks without an eReader? Absolutely! Most eBook platforms offer web-based readers or mobile apps that allow you to read eBooks on your computer, tablet, or smartphone. How do I avoid digital eye strain while reading eBooks? To prevent digital eye strain, take regular breaks, adjust the font size and background color, and ensure proper lighting while reading eBooks. What the advantage of interactive eBooks? Interactive eBooks incorporate multimedia elements, quizzes, and activities, enhancing the reader engagement and providing a more immersive learning experience. Aprilia Rotax Engine Type 655 Efi 2001 Workshop Service is one of the best book in our library for free trial. We provide copy of Aprilia Rotax Engine Type 655 Efi 2001 Workshop Service in digital format, so the resources that you find are reliable. There are also many Ebooks of related with Aprilia Rotax Engine Type 655 Efi 2001 Workshop Service. Where to download Aprilia Rotax Engine Type 655 Efi 2001 Workshop Service online for free? Are you looking for Aprilia Rotax Engine Type 655 Efi 2001 Workshop Service PDF? This is definitely going to save you time and cash in something you should think about.

Find Aprilia Rotax Engine Type 655 Efi 2001 Workshop Service :

[fill in the blank heart diagram](#)

[fiat ducato ecu reset](#)

[five similarities of nfsas and other student loan](#)

[fl hha certification test questions](#)

[fekete hold pdf](#)

[fiction and nonfiction first grade](#)

[floodlights geometry similarity answers](#)

[factoring polynomials part 1 kuta answers](#)

[five similarities of nsfas and student loan](#)

five similarities between nfsas an other student loans

[female reproductive model labeled](#)

factory repair manual for toyota camry

[female ovum cell diagram labeled printable](#)

[florida eoc us history test answer key](#)

final review packet for chemistry with answers

Aprilia Rotax Engine Type 655 Efi 2001 Workshop Service :

book review why i m no longer talking to white people about - May 21 2022

web oct 4 2020 we would like to show you a description here but the site won t allow us

why i m no longer talking to white people about race - Jul 23 2022

web jun 1 2017 exploring everything from eradicated black history to the inextricable link between class and race why i m no longer talking to white people about race is

why i m no longer talking to white people about race podcast - Sep 24 2022

web mar 8 2018 exploring everything from eradicated black history to the inextricable link between class and race why i m no longer talking to white people about race is

why i m no longer talking to white by eddo lodge reni - Mar 31 2023

web mar 2 2018 racial inequalities are stark yet normalised white people are privileged yet complacent and refuse to listen in her phenomenally brilliant new book why i m no

[why i m no longer talking to white people about race](#) - Sep 05 2023

why i m no longer talking to white people about race is a 2017 debut book by british writer reni eddo lodge that was published by bloomsbury publishing

why i m no longer talking to white people about race - Aug 04 2023

web nov 14 2017 why i m no longer talking to white people about race by reni eddo lodge the provocative title is hard to ignore and so is the book s cover seen from afar

a fondness for reading thoughts memories and ideas from - Dec 16 2021

[why i m no longer talking to white people about race](#) - Apr 19 2022

web full of passionate personal and keenly felt argument why i m no longer talking to white people about race is a wake up call to a nation in denial about the structural and

why i m no longer talking to white people about race - Dec 28 2022

web mar 8 2018 exploring issues from eradicated black history to the political purpose of white dominance whitewashed feminism to the inextricable link between class and race reni

why i m no longer talking to white people about race - Nov 14 2021

why i m no longer talking to white people about race - Jan 17 2022

why i m no longer talking to white people about race is a - May 01 2023

web exploring everything from eradicated black history to the inextricable link between class and race why i m no longer talking to white people about race is the essential

why i m no longer talking to white people about race - Jun 02 2023

web exploring everything from eradicated black history to the inextricable link between class and race why i m no longer talking to white people about race is the essential

why i m no longer talking to white people about race - Jun 21 2022

web mar 5 2019 about the author 2019 reni eddo lodge is the author of the sunday times bestselling why i m no longer talking to white people about race she has written

why i m no longer talking to white people about - Nov 26 2022

web her response why i m no longer talking to white people about race has transformed the conversation both in britain and around the world examining everything from

why i m no longer talking to white people about race - Jul 03 2023

web mar 14 2021 i titled it why i m no longer talking to white people about race it read i m no longer engaging with white people on the topic of race not all white people

why i m no longer talking to white people about race - Feb 15 2022

why i m no longer talking to white people about race pdf - Feb 27 2023

web may 31 2017 produced by simon barnard for years racism has been defined by the violence of far right extremists but a more insidious kind of prejudice can be found where

book review why i m no longer talking to white people about - Oct 26 2022

web mar 4 2018 i stopped talking to white people about race because i don t think giving up is a sign of weakness sometimes it s about self preservation i ve turned why i m no

why i m no longer talking to white people about race - Oct 06 2023

web it is a searing illuminating absolutely necessary exploration of what it is to be a person of colour in britain today
bloomsbury publishing plc 2018 front cover image not

book review why i m no longer talking to white people about - Aug 24 2022

web buy why i m no longer talking to white people about race the 1 sunday times bestseller 1 by eddo lodge reni isbn
9781408870587 from amazon s book store

why i m no longer talking to white people about race the 1 - Mar 19 2022

why i m no longer talking to white people about race - Jan 29 2023

web jan 25 2021 based on why i m no longer talking to white people about race eddo lodge reni bloomsbury 2018 pp 288 8
09 pbk isbn 9781408870587 volume 68

mythologies du monde carnet julie gouazé clémentine v - Jun 29 2022

web acheter mythologies du monde carnet de julie gouazé avec livraison gratuite sur lireka com mythologies du monde tu
connais sans doute les grands dieux grecs ou

mythologies du monde carnet beta atanet - Nov 22 2021

web carnet de bal 3 mythologies du monde carnet downloaded from beta atanet org by guest cuevas lucero brill la
mythologie individuelle surgit au 20e siècle en même

mythologies du monde carnet bruno wennagel mathieu - Mar 07 2023

web mythologies du monde carnet bruno wennagel mathieu ferret clémentine v baron amazon com be books

le gouvernement déclenche une nouvelle fois le 49 3 pour le - Sep 20 2021

web nov 13 2023 le gouvernement a choisi une nouvelle fois lundi 13 novembre de recourir à l'article 49 3 de la constitution
pour faire adopter la loi de programmation des finances

mythologies du monde carnet by baron clémentine v - Jul 11 2023

web mythologies du monde carnet clémentine v baron by clémentine v baron 12 95 feuilleter in stock usually ships in 48
hours quantity add to my wish list in store

mythologies du monde carnet clémentine v baron - Jun 10 2023

web mythologies du monde carnet 7 95 auteur clémentine v baron Âge à partir de 7 ans label sourire au monde vendu et
expédié par cultura État neuf en stock en

l argent du livret a au service des industries de défense le - Oct 22 2021

web nov 9 2023 l argent du livret a au service des industries de défense la loi de finances 2024 confirme que l'épargne

collectée par les banques pourra aussi bénéficier aux pme

mythologies du monde carnet bruno wennagel mathieu - Oct 02 2022

web select the department you want to search in

mythologies du monde carnet by amazon ae - Jan 05 2023

web buy mythologies du monde carnet by online on amazon ae at best prices fast and free shipping free returns cash on delivery available on eligible purchase

marché de Noël de Strasbourg 2023 ces nouveautés vont vous - Aug 20 2021

web 1 day ago demandez le programme du christkindelsmärik de la place broglie au sapin alternatif du marché off l édition 2023 se tient jusqu au 24 décembre et fait

quelle histoire collection mythes légendes boutique - Sep 01 2022

web mythologies du monde 9 grecque 32 égyptienne 8 nordique 3 médiévale 10 légendes fantastiques monstres 8 les formats classiques 36 classiques 1 carnets 4 beaux

mythologies du monde carnet gibert com - Dec 04 2022

web avec ce carnet tu vas découvrir neuf mythologies fabuleuses venues des quatre coins de la planète gibert com mythologie du monde carnet clementine v baron

mythologies du monde carnet jeunesse au meilleur prix - Feb 23 2022

web mythologies du monde carnet jeunesse achat en ligne au meilleur prix sur e leclerc retrait gratuit dans de 700 magasins bons plans d'Éstockage catalogues

mythologies du monde premium mythes et légendes quelle - Nov 03 2022

web 13 95 ce qu on appelle mythologie est l ensemble des récits et légendes qui constituent les croyances d un peuple elle donne des explications à ce que l on ne

mythologies du monde carnet clementine v baron - Apr 27 2022

web découvrez mythologies du monde carnet de clementine v baron sur libraiarielapage com 0 connexion 0 mon panier venez découvrir notre sélection de

mythologies du monde carnet hardcover november 13 2019 - Apr 08 2023

web nov 13 2019 mythologies du monde carnet clémentine v baron bruno wennagel mathieu ferret on amazon com free shipping on qualifying offers mythologies du

collection mythologie actualités vidéos et infos en direct - Jan 25 2022

web oct 5 2017 toute l actualité sur le sujet collection mythologie consultez l ensemble des articles reportages directs photos et vidéos de la rubrique collection mythologie

mythologies du monde carnet by clémentine v baron - Feb 06 2023

web avec ce carnet tu vas découvrir neuf mythologies fabuleuses venues des quatre coins de la planète 83 pages mass market paperback published november 1 2019

mythologies du monde carnet cartonné bruno wennagel - Oct 14 2023

web nov 13 2019 résumé tu connais sans doute les grands dieux grecs ou égyptiens mais as tu entendu parler des divinités japonaises celtes ou maories avec ce carnet tu vas découvrir neuf mythologies fabuleuses venues des quatre coins de la planète

mythologies du monde carnet amazon fr - Sep 13 2023

web retrouvez mythologies du monde carnet et des millions de livres en stock sur amazon fr achetez neuf ou d occasion amazon fr mythologies du monde carnet

catégorie mythologie wikipédia - Mar 27 2022

web voyez les conditions d utilisation pour plus de détails ainsi que les crédits graphiques wikipedia est une marque déposée de la wikimedia foundation inc organisation de

mythologies du monde carnet mythes et légendes quelle - Aug 12 2023

web mythologies du monde carnet 7 95 tu connais sans doute les grands dieux grecs ou égyptiens mais as tu entendu parler des divinités japonaises celtes ou maories avec

mythologies du monde carnet amazon co uk - May 09 2023

web buy mythologies du monde carnet by clémentine v baron bruno wennagel mathieu ferret isbn 9782371045521 from amazon s book store everyday low prices and free

accueil mythes et legendes - May 29 2022

web mythologies mythes et légendes du monde découvrez la culture les contes mythes légendes mythologies et le folklore des civilisations et empires à travers les âges

mythologies du monde carnet bruno wennagel mathieu - Jul 31 2022

web selecteer de afdeling waarin je wilt zoeken zoeken amazon nl nl hallo inloggen account en lijsten retourzendingen en bestellingen winkel wagen alle klantenservice voor

mythologie hindoue wikipédia - Dec 24 2021

web manuscrit illustré de la bataille de kurukshetra entre les kauravas et les pandavas telle que racontée dans le mahabharata la mythologie hindoue regroupe un grand nombre

fruits basket wikipedia - May 03 2023

web fruits basket tells the story of tohru honda an orphan girl who after meeting yuki kyo and shigure sohma learns that 13

members of the sohma family are possessed by the animals of the chinese zodiac and are cursed to turn into their animal forms when they are weak stressed or when they are embraced by anyone of the opposite gender who is

fruits basket tome 16 natsuki takaya babelio - Oct 08 2023

web akata 04 02 2006 4 33 5 329 notes résumé tandis que la fête de l'école s'achève kyô est en proie à une terrible mélancolie il se remémore sa rencontre enfant avec la mère de tohru de la rencontre entre kyôko et katsuya jusqu'à la mort de ce dernier on découvre en détail la vie des parents de notre héroïne

volume 16 fruits basket wiki fandom - Sep 07 2023

web the sixteenth volume of fruits basket was originally published in japan by hakusensha on january 19 2005 it was originally published in english by tokyopop on april 10 2007 a new chapter is opened in the sohma family's story and the rumors are true kyo has indeed met kyoko and when he

buy tpb manga fruits basket tome 16 archonia.com - Jun 23 2022

web adult is all ages department is books tpb manga publisher is akata delcourt series is fruits basket

fruits basket vol 16 book by natsuki takaya thriftbooks - Apr 02 2023

web buy a cheap copy of fruits basket vol 16 book by natsuki takaya tohru honda is an orphaned teenager who comes to live with the sohma family in exchange for housekeeping duties but she soon comes to know the family secret free shipping on all orders over 10

fruits basket tome 23 by natsuki takaya goodreads - Apr 21 2022

web mar 19 2007 la malédiction qui pesait depuis des siècles sur la vie des principaux membres de la famille sôma a enfin été levée kyô et les douze autres membres anciennement maudits sont maintenant libérés de la magie noire singulière qui les transformait régulièrement en l'un des douze animaux de l'astrologie chinoise

fruits basket another manga online free manganato - May 23 2022

web may 9 2022 description the new series will take place in the same setting as the original fruits basket kaibara high school it will feature a new female protagonist named sawa who enrolls at the school show more chapter name view uploaded chapter 109 5 8k may 09 22 chapter 108 2 4k may 09 22 chapter 107 1 5k may 09 22 chapter

fruits basket vol 1 by natsuki takaya goodreads - Aug 26 2022

web jan 1 2001 natsuki takaya 4 28 185 676 ratings 2 382 reviews a family with an ancient curse and the girl who will change their lives forever tohru honda was an orphan with no place to go until the mysterious sohma family offered her a place to call home

chapter 16 fruits basket wiki fandom - Nov 28 2022

web chapter 16 is the fourth chapter of the third volume and the overall sixteenth chapter of the fruits basket manga series

written and illustrated by natsuki takaya contents 1 summary plot characters shigure sohma yuki sohma tohru honda kyo sohma kagura sohma hatori sohma momiji sohma mentioned flashback ayame sohma

[9782756000763 fruits basket tome 16 french edition](#) - Sep 26 2022

web fruits basket tome 16 french edition find all books from natsuki takaya at find more books com you can find used antique and new books compare results and immediately purchase your selection at the best price 9782756000763 fruits basket volume 16 14 11 2022 05 35 26 binding taschenbuch

[fruits basket vol 3 by natsuki takaya goodreads](#) - Feb 17 2022

web sep 17 1999 natsuki takaya natsuki takaya fruits basket natsuki real name naka hatake is the penname of a japanese manga artist best known for creating the series fruits basket she was born on july 7 1973 tanabata takaya is left handed and once revealed that she wanted to be a mangaka since first grade when her sister started

read fruits basket chapter 16 online page 1 mangatown - Jul 05 2023

web fruitsbasket 16 english you could read the latest and hottest fruitsbasket 16 in mangatown tohru honda has been living in a tent since her mother dies in a car accident but ends up living instead with yuki sohma her school s

[fruits basket series by natsuki takaya](#) - Jun 04 2023

web fruits basket series by natsuki takaya premise tohru honda has been living in a tent since her mother died in a car accident through a chance encounter she ends up living with yuki sohma h

fruits basket vol 16 amazon com - Aug 06 2023

web apr 10 2007 fruits basket vol 16 paperback april 10 2007 by natsuki takaya author 123 ratings 4 5 on goodreads 13 391 ratings see all formats and editions paperback 13 99 21 used from 6 94 2 collectible from 15 99

[watch fruits basket crunchyroll](#) - Mar 21 2022

web stream and watch the anime fruits basket on crunchyroll tohru honda thought her life was headed for misfortune when a family tragedy left her living in a tent when her small home is

[fruits basket 2001 episode 16 watch on crunchyroll](#) - Nov 16 2021

web sep 6 2022 e16 episode 16 sub dub released on sep 6 2022 32 0 a relaxing trip to the sohma lake house turns stormy when tohru discovers that something s bothering yuki and kyo the boys moods

[fruits basket tome 16 french edition paperback](#) - Jan 19 2022

web fruits basket tome 16 french edition on amazon com au free shipping on eligible orders fruits basket tome 16 french edition

[fruits basket wiki fandom](#) - Jan 31 2023

web the fruits basket wiki is a wiki based encyclopedia dedicated to everything related to the fruits basket series this

includes the manga series and manga spinoffs written by natsuki takaya and the two anime adaptations if you want to help us please visit our community page for more information

loading interface goodreads - Dec 18 2021

web discover and share books you love on goodreads

fruits basket vol 14 by natsuki takaya goodreads - Jul 25 2022

web apr 19 2004 16 223 ratings 218 reviews isuzu loves snooping through shigure s life especially when she s totally convinced that he is hiding something but when tohru finds a passed out isuzu in the house she tries to drag isuzu to the hospital meanwhile yuki goes to the asb student council room only to find it trashed again

fruits basket wiki - Dec 30 2022

web fruits basket フルーツバスケット furuutsu basuketto meyve sepeti natsuki takaya takma isim tarafından çizilen ve hana to yume Çiçekler ve rüyalar dergisinde yayınlanan bir manga serisidir 2001 yılında shoujo dalında kōdanşa manga Ödülü nü aldı ayrıca akitaro daiçi yönetmen tarafından tv tokyo da yayınlanmak üzere 26 bölümlük bir

fruits basket summary enotes com - Oct 28 2022

web fruits basket volume 16 2007 kyo remembers tohru s mother kyoko whom he met in his childhood the story of how tohru s parents met is revealed fruits basket volume 17 2007

fruits basket tome 16 by natsuki takaya bruno pham victoria - Mar 01 2023

web find many great new used options and get the best deals for fruits basket tome 16 by natsuki takaya bruno pham victoria tom at the best online prices at ebay free delivery for many products